

## MV-CL020-41GC

### 2K Line Scan, CMOS, GigE Camera



The Hikvision MV-CL020-41GC 2k Line Scan CMOS GigE Camera is a high quality device that can be used in a variety of applications, including printing, metallurgy, food, pharmaceutical, transportation, logistics and material sorting

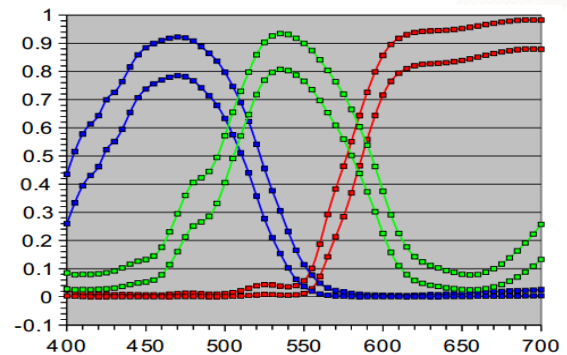
#### Key Features

- Gigabit Ethernet interface providing 1Gbps bandwidth; Transmitting distance can be 100m without relaying.
- 128MB on-board buffer, for image burst transmitting and retransmitting.
- Support auto exposure control, LUT and Gamma correction.
- Cameras can be synchronized with hard trigger and soft trigger.
- Different exposure modes can be used to capture image.
- Support Region of Interest output.
- Compliant with GigE Vision V2.0, can be supported by third party software.

#### Application Scenarios

- Printing
- Metallurgy
- Food
- Pharmaceutical
- Transportation
- Logistics
- Material sorting

#### Spectral Response



MV-CL020-41GC Quantum Efficiency

#### Order Model

Color: MV-CL020-41GC



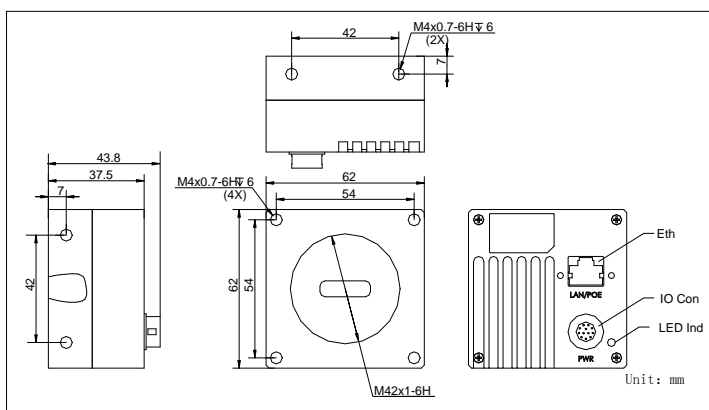
## Specifications

Model	MV-CL020-41GC
Parameters	2K Line Scan, CMOS, GigE Camera
<b>Camera</b>	
Pixel Size	7μm×7μm
Resolution	2048×2
Line Rate	1Hz-26kHz
A/D Converter Bits	12 bit
Image Data Bits	8, 10, 12 bit
Dynamic Range	>60dB
SNR	>40dB
Gamma Correction	0 to 4.00, Programmable Lookup Table
ISP	Gamma, Lookup Table
ROI	2 ROI supported
Flat-field Correction	Supported
Gain Control	Automatic/Manual Gain Control
Gain Range	0dB-7.9dB
Exposure Time	2μs-10sec
Shutter Mode	Auto-exposure, Fixed Exposure Time, Trigger Pulse Width Control
Data Interface	Gigabit Ethernet
Data Transmission Rate	100/1000Mbps
General Purpose I/O	12-pin Hirose interface, RS422 input ×2, Single-end Input ×1, RS422 output ×2
Trigger	External Line Trigger and Frame Trigger
Image Buffer	128MB
Data Format	Mono 8/10/12, RGB 8, YUV 422 8, YUV 422 8 UYUV, Bayer RG 8/10/10p/12/12p, support JPG coding
<b>General</b>	
Power	Approx. 4W@12VDC, Voltage 5~15VDC, PoE supported
Temperature	Working Temperature 0~50°C, Storage Temperature -30~70°C
Dimension	62mm×62mm×37.5mm
Weight	Approx. 170g
Lens Interface	M42×1.0, back focal distance 12mm, F mount or C mount lens supported with lens adapter
Software	MVS or Third-Party Software supporting GigE Vision Protocol
Operating System	Windows XP/7/10 32/64bits
Compliance	GigE Vision
Certification	CE, FCC, RoHS

## Recommended Accessories

- **Power:** 12VDC @1A power adapter
- **NIC:** Intel Pro1000 and above version recommended
- **Network Cable:** CAT5e or CAT6 network cable recommended

## Dimensions



## MaxxVision®

Sigmaringer Str. 121

70567 Stuttgart

Tel.: 0711 997 996 3

www.maxxvision.com

1.