

MV-CL020-40GM

2K Line Scan, CMOS, GigE Camera



The Hikvision MV-CL020-40GM 2k Line Scan CMOS GigE Camera is a high quality device that can be used in a variety of applications, including printing inspection, food sorting, pharma inspection, ITS and logistics inspection.

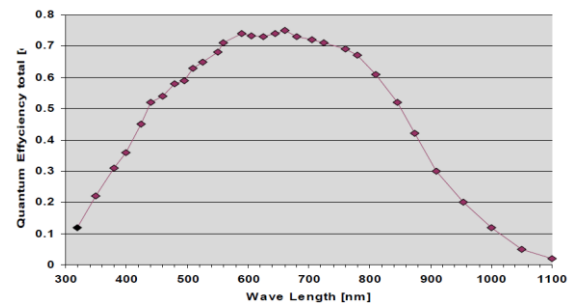
Key Features

- Gigabit Ethernet interface providing 1Gbps bandwidth; Transmitting distance can be 100m without relaying.
- 128MB on-board buffer, for image burst transmitting and retransmitting.
- Support auto exposure control, LUT and Gamma correction.
- Cameras can be synchronized with hard trigger and soft trigger.
- Different exposure modes can be used to capture image.
- Support Region of Interest output
- Multiple lens interfaces supported with lens adapter
- Compliant with GigE Vision V1.2, can be supported by third party software.

Application Scenarios

- Printing Inspection
- Food Sorting
- Pharma Inspection
- ITS
- Logistics Inspection

Spectral Response



MV-CL020-40GM Quantum Efficiency

Order Model

Mono: MV-CL020-40GM



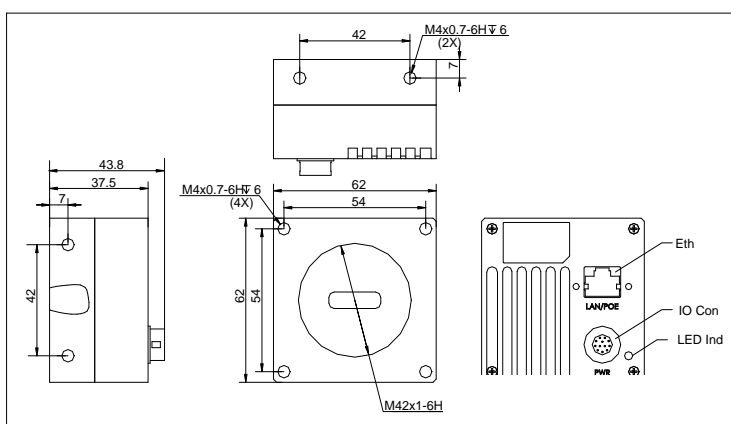
Specifications

Model	MV-CL020-40GM
Parameters	2K Line Scan, CMOS, GigE Camera
Camera	
Pixel Size	7 μ m \times 7 μ m
Resolution	2048 \times 1
Line Rate	1Hz-51kHz
Dynamic Range	>60dB
SNR	>40dB
ISP	Gamma, Lookup Table
Gamma Correction	0 to 4.00, Programmable Lookup Table
Binning	1/2/3/4 binning
ROI	1 ROI
Mirroring	Horizontal Mirroring
PRNU Correction	Supported
Gain Control	Manual Set
Gain Range	0dB-11.7dB
Exposure Time	2 μ s-10sec
Shutter Mode	Fixed Exposure Time Mode, PWM mode
Data Interface	Gigabit Ethernet
Data Transmission Rate	100/1000Mbps
General Purpose I/O	12-pin Hirose interface, RS422 input \times 2, Single-end Input \times 1, RS422 output \times 2
Trigger	Software Trigger or Hardware External Trigger
Image Buffer	128MB
Data Format	Mono 8/10/10p/12/12p
General	
Power	Approx. 4W@12VDC, Voltage 5~15VDC, PoE supported
Temperature	Working Temperature 0~50 $^{\circ}$ C, Storage Temperature -30~70 $^{\circ}$ C
Dimension	62mm \times 62mm \times 37.5mm
Weight	Approx. 170g
Lens Interface	M42 \times 1.0, back focal distance 12mm, F mount or C mount lens supported with lens adapter
Software	MVS or Third-Party Software supporting GigE Vision Protocol
Operating System	Windows XP/7/10 32/64bits
Compliance	GigE Vision
Certification	CE, FCC, RoHS

Recommended Accessories

- **Power:** 12VDC @1A power adapter
- **NIC:** Intel Pro1000 and above version recommended
- **Network Cable:** CAT5e or CAT6 network cable recommended

Dimensions



MaxxVision®

Sigmaringer Str. 121

70567 Stuttgart

Tel.: 0711 997 996 3

www.maxxvision.com