

MV-CH290-60GM

29MP, 36mm×24mm CCD, GigE Camera

GigE
VISION



The Hikvision MV-CH290-60GM 29 MP 36mm×24mm CCD GigE Camera is a high quality device that can be used in a variety of applications, including SMT automatic optical detection, PCB AOI, FPD detection, railway related applications and etc.

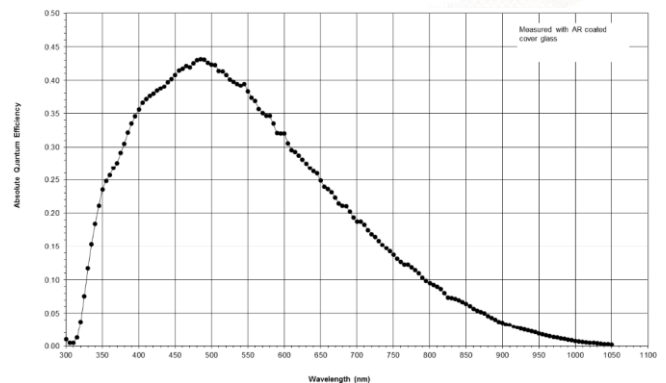
Key Features

- 29 MP resolution, pixel size of 5.5μm
- High quality CCD sensor with ultra high signal-to-noise ratio, wide dynamic range, excellent imaging quality
- 128 MB on-board buffer, which enable to cache multiple pictures for data transmission or image retransmitting in Burst mode
- GigE interface, with the maximum transmission distance of 100 m (without relay)
- Support serial port communication, communication protocol RS232 or full-duplex RS485
- M58 optical mount, applicable for F/V mount
- Compact construction design with mounting holes on the up and bottom panels for flexible mounting

Application Scenarios

- SMT automatic optical detection
- PCB AOI
- FPD detection
- Railway related applications

Spectral Response



MV-CH290-60GM Quantum Efficiency

Order Model

Mono: MV-CH290-60GM



Specifications

Model	MV-CH290-60GM
Parameters	29MP, 36mm×24mm CCD, GigE Camera
Camera	
Sensor	KAI29050
Pixel Size	5.5μm×5.5μm
Sensor Size	36mm×24mm
Resolution	6576×4384
Frame Rate	4fps
Dynamic Range	>64dB
SNR	>40dB
Gain Range	0-20dB
Exposure Time	110μs-1sec
Shutter Mode	Global Shutter. Auto-Exposure, Manual Exposure, One-key Exposure
Data Interface	Gigabit Ethernet
General Purpose I/O	12 pin IO, Opto-isolated input x1, Opto-isolated output x1, Bi-directional non-isolated I/O x1, RS232 x1, full-duplex RS485 x1
Image Buffer	128MB
Data Format	Mono 8/10/10p/12/12p
General	
Power	Approx. 12W@12VDC, Voltage 12VDC
Temperature	Working Temperature 0~50°C, Storage Temperature -30~70°C
Humidity	20%-95%RH Without Condensation
Dimension	74mm×74mm×49mm
Weight	Approx. 700g
Lens Interface	M58*0.75, optical back focal length 11.48 mm, supporting F-mount
Software	MVS or Third-Party Software supporting GigE Vision Protocol
Operating System	Windows XP/7/10 32/64bits
Compliance	GigE Vision
Certification	CE, FCC, RoHS

Recommended Accessories

- **Power:** 12VDC @1A power adapter
- **NIC:** Intel Pro1000 and above version recommended
- **Network Cable:** CAT5e or CAT6 network cable recommended

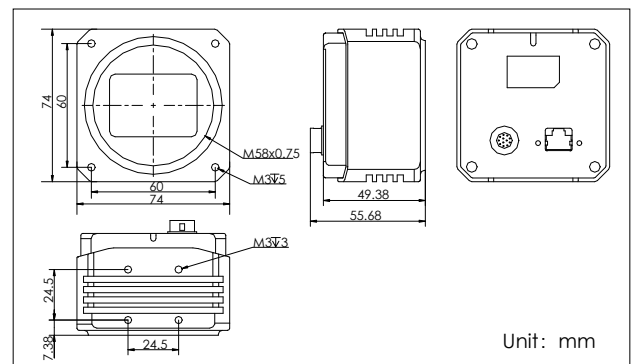
MaxxVision®

Sigmaringer Str. 121
70567 Stuttgart

Tel.: 0711 997 996 3

www.maxxvision.com

Dimensions



1.