

## MV-CA060-11GM 6MP, 1/1.8" CMOS, GigE Camera

**GigE**  
VISION



The Hikvision MV-CA060-11GM 6 MP 1/1.8" CMOS GigE Camera is a high quality device that can be used in a variety of applications, including electronic semiconductor fabrication, factory automation, quality inspection.

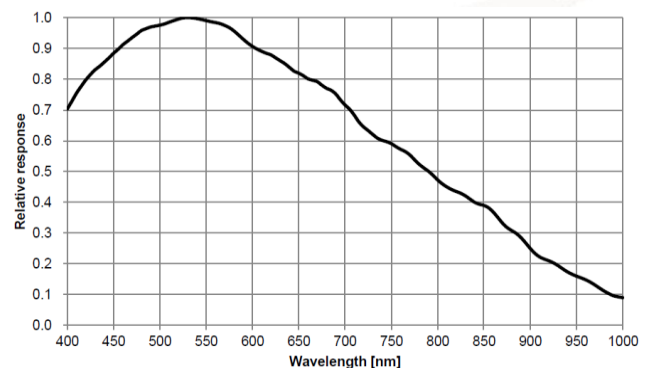
### Key Features

- Gigabit Ethernet interface providing 1Gbps bandwidth; Transmitting distance can be 100m without relaying.
- 128MB on-board buffer, for image burst transmitting and retransmitting.
- Support auto exposure control, LUT and Gamma correction.
- Cameras can be synchronized with hard trigger and soft trigger.
- Different exposure modes can be used to capture image.
- Embed special color interpolation algorithm which reproduces color performance better and supports auto white balance function.
- Compliant with GigE Vision V1.2, can be supported by third party software.

### Application Scenarios

- Electronic semiconductor
- Factory automation
- Quality Inspection

### Spectral Response



MV-CA060-11GM Quantum Efficiency

### Order Model

Mono: MV-CA060-11GM



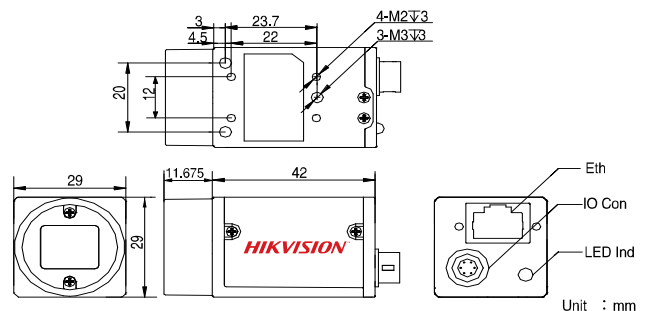
## Specifications

Model	MV-CA060-11GM
Parameters	6MP, 1/1.8" CMOS, GigE Camera
<b>Camera</b>	
Sensor	IMX178
Pixel Size	2.4μm×2.4μm
Sensor Size	1/1.8"
Resolution	3072x2048
Frame Rate	17fps
Dynamic Range	>65dB
SNR	>40dB
Gain Range	0-20dB
Exposure Time	27μs-2.5sec
Shutter Mode	Rolling shutter, with GlobalReset supported. Auto-exposure, Manual exposure, and One-key exposure
Data Interface	Gigabit Ethernet
General Purpose I/O	Opto-isolated input *1, Opto-isolated output *1, Bi-directional non-isolated I/O *1
Image Buffer	128MB
Data Format	Mono 8/10/10p/12/12p
<b>General</b>	
Power	Approx. 3.5W@12VDC, Voltage 5~15VDC, PoE supported
Temperature	Working Temperature 0~50°C, Storage Temperature -30~70°C
Dimension	29mm×29mm×42mm
Weight	Approx. 68g
Lens Interface	C-Mount
Software	MVS or Third-Party Software supporting GigE Vision Protocol
Operating System	Windows XP/7/10 32/64bits
Compliance	GigE Vision
Certification	CE, FCC, RoHS

### Recommended Accessories

- **Power:** 12VDC @1A power adapter
- **NIC:** Intel Pro1000 and above version recommended
- **Network Cable:** CAT5e or CAT6 network cable recommended

### Dimensions



a.

**MaxxVision®**

Sigmaringer Str. 121

70567 Stuttgart

Tel.: 0711 997 996 3

www.maxxvision.com