

MV-CA030-10GM/GC 3MP, 1/1.8" CCD, GigE Camera

GigE
VISION



The Hikvision MV-CA030-10GM/GC 3 MP 1/1.8" CCD GigE Camera is a high quality device that can be used in a variety of applications, including electronic semiconductor fabrication, factory automation, quality inspection.

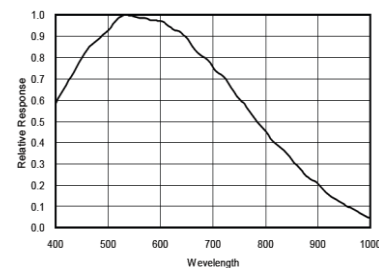
Key Features

- Gigabit Ethernet interface providing 1Gbps bandwidth; Transmitting distance can be 100m without relaying.
- 128MB on-board buffer, for image burst transmitting and retransmitting.
- Support auto exposure control, LUT and Gamma correction.
- Cameras can be synchronized with hard trigger and soft trigger.
- Different exposure modes can be used to capture image.
- Embed special color interpolation algorithm which reproduces color performance better and supports auto white balance function.
- Compliant with GigE Vision V1.2, can be supported by third party software.

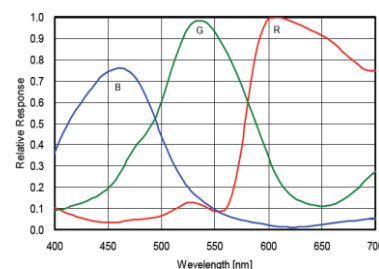
Application Scenarios

- Electronic semiconductor
- Factory automation
- Quality Inspection

Spectral Response



MV-CA030-10GM Quantum Efficiency



MV-CA030-10GC Quantum Efficiency

Order Models

Mono: MV-CA030-10GM

Color: MV-CA030-10GC



Specifications

Model	MV-CA030-10GM	MV-CA030-10GC
Parameters	3MP, 1/1.8" CCD, GigE Camera	
Camera		
Sensor	ICX687	
Pixel Size	3.69μm×3.69μm	
Sensor Size	1/1.8"	
Resolution	1920×1440	
Frame Rate	25fps	
Dynamic Range	>61dB	
SNR	>40dB	
Gain Range	0-20dB	
Exposure Time	26μs-1sec	
Shutter Mode	Global Shutter. Auto-Exposure, Manual Exposure, One-key Exposure	
Data Interface	Gigabit Ethernet	
General Purpose I/O	Opto-isolated input x1, Opto-isolated output x1	
Image Buffer	128MB	
Data Format	Mono 8/10/10p/12/12p	Mono 8/10/12, RGB8, Bayer RG 8/10/10p/12/12p, YUV 422 8 UYVY, YUV 422 8
General		
Power	Approx. 4W@12VDC, Voltage 5~15VDC, PoE supported	
Temperature	Working Temperature 0~50°C, Storage Temperature -30~70°C	
Dimension	44mm×29mm×60mm	
Weight	Approx. 86g	
Lens Interface	C-Mount	
Software	MVS or Third-Party Software supporting GigE Vision Protocol	
Operating System	Windows XP/7/10 32/64bits	
Compliance	GigE Vision	
Certification	CE, FCC, RoHS	

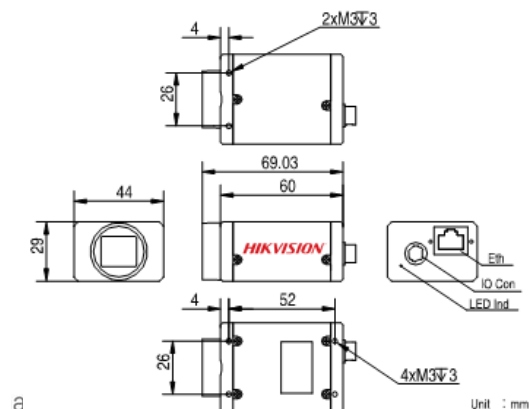
Recommended Accessories

- **Power:** 12VDC @1A power adapter
- **NIC:** Intel Pro1000 and above version recommended
- **Network Cable:** CAT5e or CAT6 network cable recommended

MaxxVision®

Sigmaringer Str. 121
70567 Stuttgart
Tel.: 0711 997 996 3
www.maxxvision.com

Dimensions



Unit : mm