

MV-CA023-10GM/GC 2.3MP, 1/1.2" CMOS, GigE Camera

GigE
VISION



The Hikvision MV-CA023-10GM/GC 2.3 MP 1/1.2" CMOS GigE Camera is a high quality device that can be used in a variety of applications, including electronic semiconductor fabrication, factory automation, quality inspection.

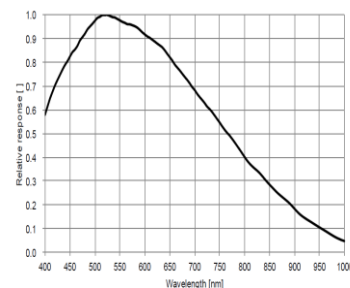
Key Features

- Gigabit Ethernet interface providing 1Gbps bandwidth; Transmitting distance can be 100m without relaying.
- 128MB on-board buffer, for image burst transmitting and retransmitting.
- Support auto exposure control, LUT and Gamma correction.
- Cameras can be synchronized with hard trigger and soft trigger.
- Different exposure modes can be used to capture image.
- Embed special color interpolation algorithm which reproduces color performance better and supports auto white balance function.
- Compliant with GigE Vision V1.2, can be supported by third party software.

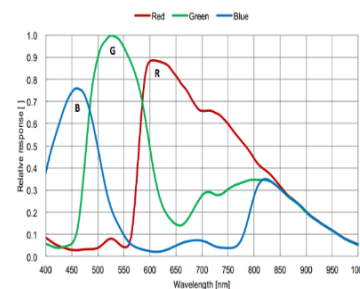
Application Scenarios

- Electronic semiconductor
- Factory automation
- Quality Inspection

Spectral Response



MV-CA023-10GM Quantum Efficiency



MV-CA023-10GC Quantum Efficiency

Order Models

Mono: MV-CA023-10GM

Color: MV-CA023-10GC



Specifications

Model	MV-CA023-10GM	MV-CA023-10GC
Parameters	2.3MP, 1/1.2" CMOS, GigE Camera	
Camera		
Sensor	IMX249	
Pixel Size	5.86μm×5.86μm	
Sensor Size	1/1.2"	
Resolution	1920×1200	
Frame Rate	41fps	30fps
Dynamic Range	>70dB	
SNR	>40dB	
Gain Range	0-20dB	
Exposure Time	26μs-0.1sec	
Shutter Mode	Global Shutter. Auto-Exposure, Manual Exposure, One-key Exposure	
Data Interface	Gigabit Ethernet	
General Purpose I/O	Opto-isolated input x1, Opto-isolated output x1, Bi-directional non-isolated I/O x1	
Image Buffer	128MB	
Data Format	Mono 8/10/10p/12/12p	Mono 8/10/12, RGB8, Bayer RG 8/10/10p/12/12p, YUV 422 8 UYVY, YUV 422 8
General		
Power	Approx.3W@12VDC, Voltage 5~15VDC, PoE supported	
Temperature	Working Temperature 0~50°C, Storage Temperature -30~70°C	
Dimension	29mm×29mm×42mm	
Weight	Approx. 68g	
Lens Interface	C-Mount	
Software	MVS or Third-Party Software supporting GigE Vision Protocol	
Operating System	Windows XP/7/10 32/64bits	
Compliance	GigE Vision	
Certification	CE, FCC, RoHS	

Recommended Accessories

- **Power:** 12VDC @1A power adapter
- **NIC:** Intel Pro1000 and above version recommended
- **Network Cable:** CAT5e or CAT6 network cable recommended

MaxxVision®

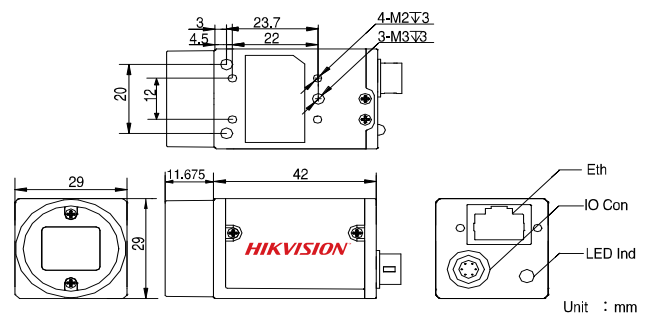
Sigmaringer Str. 121

70567 Stuttgart

Tel.: 0711 997 996 3

www.maxxvision.com

Dimensions



a.