

MV-CA013-20GN

1.3MP, 1/2" CMOS, Near-Infrared GigE Camera



The Hikvision MV-CA013-20GN 1.3 MP 1/2" CMOS Near-Infrared GigE Camera is a high quality device that can be used in a variety of applications, including electronic semiconductor fabrication, factory automation, quality inspection.

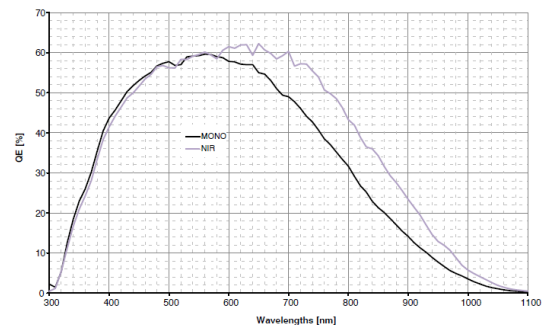
Key Features

- Gigabit Ethernet interface providing 1Gbps bandwidth; Transmitting distance can be 100m without relaying.
- 128MB on-board buffer, for image burst transmitting and retransmitting.
- Support auto exposure control, LUT and Gamma correction.
- Cameras can be synchronized with hard trigger and soft trigger.
- Different exposure modes can be used to capture image.
- Embed special color interpolation algorithm which reproduces color performance better and supports auto white balance function.
- Compliant with GigE Vision V1.2, can be supported by third party software.

Application Scenarios

- Electronic semiconductor
- Factory automation
- Quality Inspection

Spectral Response



MV-CA013-20GN Quantum Efficiency

Order Model

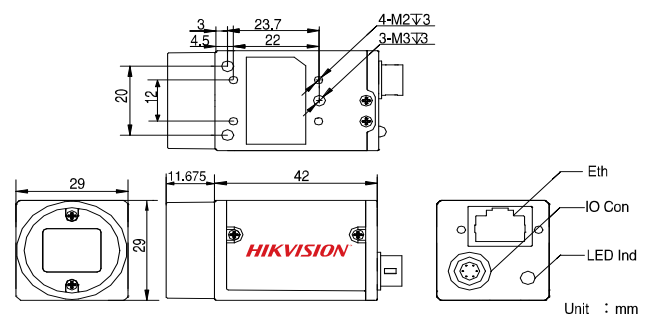
Near-Infrared: MV-CA013-20GN



Specifications

| Model | MV-CA013-20GN |
|---------------------|---|
| Parameters | 1.3MP, 1/2" CMOS, Near-Infrared GigE Camera |
| Camera | |
| Sensor | PYTHON 1300 |
| Pixel Size | 4.8μm×4.8μm |
| Sensor Size | 1/2" |
| Resolution | 1280×1024 |
| Frame Rate | 90fps |
| Dynamic Range | >60dB |
| SNR | >40dB |
| Gain Range | 0-15dB |
| Exposure Time | 10μs-10sec |
| Shutter Mode | Global Shutter. Auto-Exposure, Manual Exposure, One-key Exposure |
| Data Interface | Gigabit Ethernet |
| General Purpose I/O | Opto-isolated input x1, Opto-isolated output x1, Bi-directional non-isolated I/O x1 |
| Image Buffer | 128MB |
| Data Format | Mono 8/10/10p/12/12p |
| General | |
| Power | Approx. 2.6W@12VDC, Voltage 5~15VDC, PoE supported |
| Temperature | Working Temperature 0~50°C, Storage Temperature -30~70°C |
| Dimension | 29mm×29mm×42mm |
| Weight | Approx. 68g |
| Lens Interface | C-Mount |
| Software | MVS or Third-Party Software supporting GigE Vision Protocol |
| Operating System | Windows XP/7/10 32/64bits |
| Compliance | GigE Vision |
| Certification | CE, FCC, RoHS |

Dimensions



Recommended Accessories

- **Power:** 12VDC @1A power adapter
- **NIC:** Intel Pro1000 and above version recommended
- **Network Cable:** CAT5e or CAT6 network cable recommended

MaxxVision®

Sigmaringer Str. 121

70567 Stuttgart

Tel.: 0711 997 996 3

www.maxxvision.com