

## MV-CA005-20GM/GC 0.5MP, 1/4" CMOS, GigE Camera

**GigE**  
VISION



The Hikvision MV-CA005-20GM/GC 0.5 MP 1/4" CMOS GigE Camera is a high quality device that can be used in a variety of applications, including electronic semiconductor fabrication, factory automation, quality inspection.

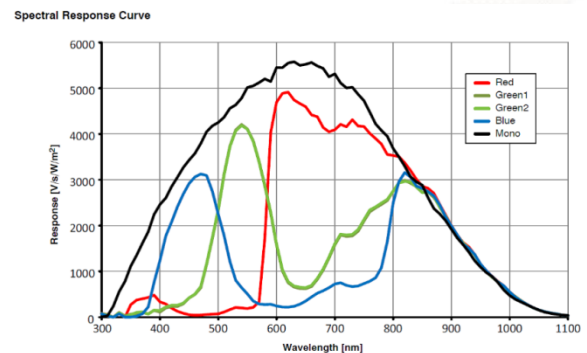
### Key Features

- Gigabit Ethernet interface providing 1Gbps bandwidth; Transmitting distance can be 100m without relaying.
- 128MB on-board buffer, for image burst transmitting and retransmitting.
- Support auto exposure control, LUT and Gamma correction.
- Cameras can be synchronized with hard trigger and soft trigger.
- Different exposure modes can be used to capture image.
- Embed special color interpolation algorithm which reproduces color performance better and supports auto white balance function.
- Compliant with GigE Vision V1.2, can be supported by third party software.

### Application Scenarios

- Electronic semiconductor
- Factory automation
- Quality Inspection

### Spectral Response



MV-CA005-20GM/GC Quantum Efficiency

### Order Models

Mono: MV-CA005-20GM

Color: MV-CA005-20GC



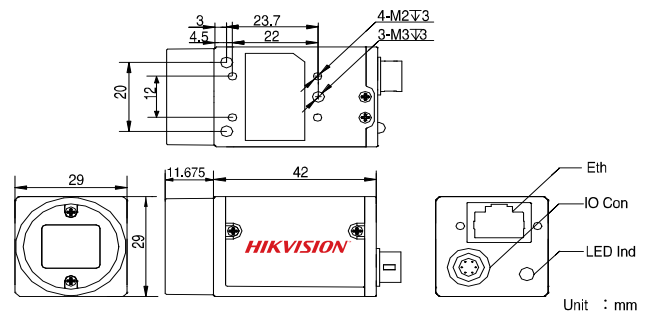
## Specifications

Model	MV-CA005-20GM	MV-CA005-20GC
Parameters	0.5MP, 1/4" CMOS, GigE Camera	
<b>Camera</b>		
Sensor	PYTHON 480	
Pixel Size	4.8μm×4.8μm	
Sensor Size	1/4"	
Resolution	808×608	
Frame Rate	116fps	
Dynamic Range	>60dB	
SNR	>40dB	
Gain Range	0-15dB	
Exposure Time	42μs-10sec	
Shutter Mode	Global Shutter. Auto-Exposure, Manual Exposure, One-key Exposure	
Data Interface	Gigabit Ethernet	
General Purpose I/O	Opto-isolated input x1, Opto-isolated output x1, Bi-directional non-isolated I/O x1	
Image Buffer	128MB	
Data Format	Mono 8/10/10p/12/12p	Mono 8/10/12, RGB8, Bayer RG 8/10/10p/12/12p, YUV 422 8 UYVY, YUV 422 8
<b>General</b>		
Power	Approx. 3.0W@12VDC, Voltage 5~15VDC, PoE supported	
Temperature	Working Temperature 0~50°C, Storage Temperature -30~70°C	
Dimension	29mm×29mm×42mm	
Weight	Approx. 68g	
Lens Interface	C-Mount	
Software	MVS or Third-Party Software supporting GigE Vision Protocol	
Operating System	Windows XP/7/10 32/64bits	
Compliance	GigE Vision	
Certification	CE, FCC, RoHS	

### Recommended Accessories

- **Power:** 12VDC @1A power adapter
- **NIC:** Intel Pro1000 and above version recommended
- **Network Cable:** CAT5e or CAT6 network cable recommended

### Dimensions



**MaxxVision®**

Sigmaringer Str. 121

70567 Stuttgart

Tel.: 0711 997 996 3

[www.maxxvision.com](http://www.maxxvision.com)