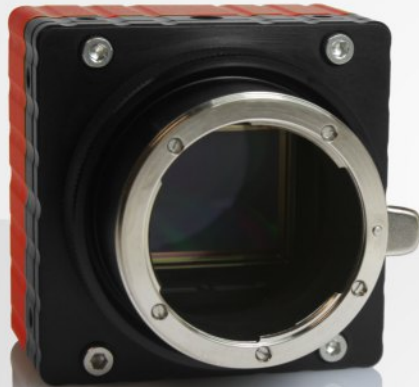


Flare™

PRELIMINARY

50MP CAMERAS



CoaxPress

Video cameras with CMOSIS CMV50000 Sensors

APPLICATIONS

Automated Inspection

Aerial Imaging and Mapping

Wide Area Surveillance

Specialty Video Production



FEATURES INCLUDE:

- Monochrome and Colour Models
- Global Shutter CMOS with CDS
- CoaxPress Output
- Selectable 8/10/12-bit Data Formats
- Multiple Lens Mount Options
- Compact Size, Low-Power Fanless Design
- Multi-ROI with up to 10 Separate Windows
- Auto Exposure and Auto White Balance

IOI
IO INDUSTRIES

Camera Model	Flare 50MP
Sensor Size (H x V)	7920 x 6004
Frame rate (full resolution)	30.9 fps
Optical Format	35mm Full Frame (45.7mm diagonal)
Sensor Type	Global shutter CMOS with correlated double sampling (CDS)
Sensor Options	Monochrome or color (Bayer)
Pixel Size	4.6 x 4.6 μ m
Dynamic Range	60dB
Output Configurations	1/2/4 links at 3.125Gbps (CXP-3), 5.0Gbps (CXP-5) or 6.25Gbps (CXP-6)
Multiple ROI	Up to 10 separate windows
Pixel Bit Depth	8/10/12-bit
Exposure Control	Trigger width, timed, or auto-exposure control
Image Correction	Black level, row and column-based FPN/PRNU, bad pixel replacement, flat field correction
Color Processing	Auto white balance (tracking or manual), programmable LUTs
Camera Configuration	GenICam or Flare Control software

Mechanical/Electrical

Dimensions	79.7 mm x 79.7 mm x 78.0 mm (WxHxD, with F-mount)
Lens Mount	F-mount, M58 x 0.75, M72 x 0.75, Active Canon EF, others upon request
Weight	610g (with F-mount, no lens)
Power Requirements	7.5W, 7-26V DC via Hirose 12-pin or 24V via PoCXP
Additional I/O (Hirose 12-pin)	TTL-level trigger input/output
Operating Temperature	-30°C to 45°C, 20-85% humidity (non-condensing)
Storage Temperature	-40°C to 85°C, 10-90% humidity (non-condensing)

ORDERING

Example: 50M30MCX-F

Camera
50M30

Lens Type
F - F-mount
M - M58 x 0.75

Sensor Type
M - Monochrome
C - Color (with IR filter)

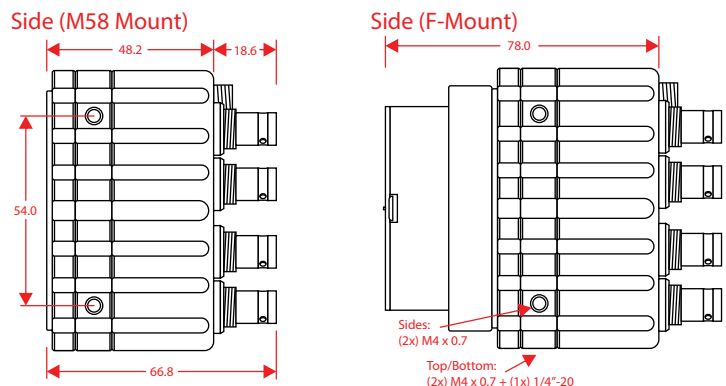
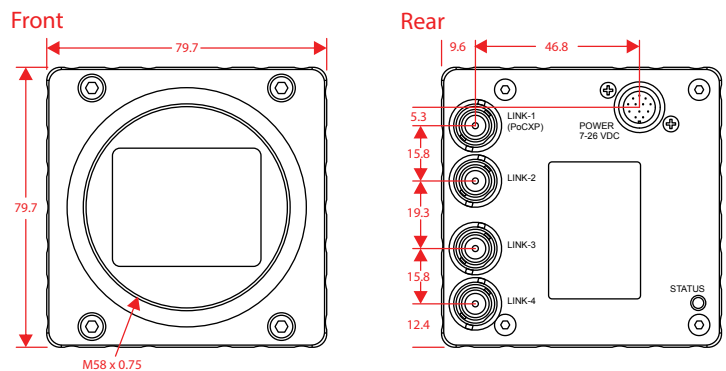
Interface
CX - CoaXPress

FRAME RATE CHART

Full-Resolution Frame Rate
by Connection and Bit Depth

	50M30xCX		
	8-bit	10-bit	12-bit
4x CXP-6	30.9	30.9	30.9
4x CXP-5	30.9	30.9	26.0
4x CXP-3	24.3	19.4	16.1
2x CXP-6	24.3	19.4	16.1
2x CXP-5	19.4	15.5	12.8
2x CXP-3	12.0	9.5	7.9
1x CXP-6	12.0	9.5	7.9
1x CXP-5	9.5	7.6	6.2
1x CXP-3	5.8	4.6	3.8

MECHANICAL DIAGRAMS



Distributed by:

MaxxVision®

Sigmaringer Str. 121
70567 Stuttgart
Tel.: +49 711 997 996 3
Fax: +49 711 997 996 50
www.maxxvision.com
info@maxxvision.com