

A

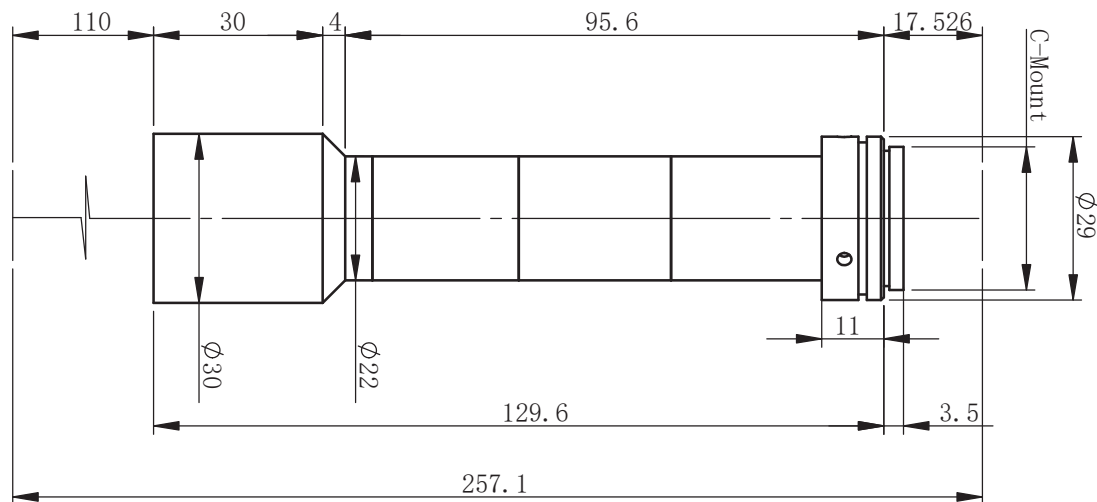
B

C

D

Optical Specifications

Magnification(X)	2
Working Distance (mm)	110
Telecentricity(°)	<0.15
Depth of Field (mm)	0.37
Distortion (%)	<0.036
Sensor Size Φ (mm)	11 (2/3")
Field of View Φ (mm)	5.5
Lange Space F/#	F13.5
Resolution (μ m)	4.5
MTF30 (lp/mm)	>75
Mount	C
Length (mm)	129.6
I/O Distance (mm)	257.1

**MaxxVision®**

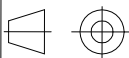
Sigmaringer Str. 121
70567 Stuttgart
Tel.: 0711 997 996 3
www.maxxvision.com

Copyright © 2011 by OPT
All Rights Reserved

Drawing Code

RZZ20230601A021302

View Angle



Standard Difference

IT14

Remark

Item

Signature

Date

Drawing

Design

Check

Approve

Paper Size

A4

Revised Date

2023-06-01



OPT MACHINE VISION TECH CO., LTD.

OPT-MH20-110AB

Scale

Page

1/1 Total Page

Version

V2.0.02

A

B

C

D