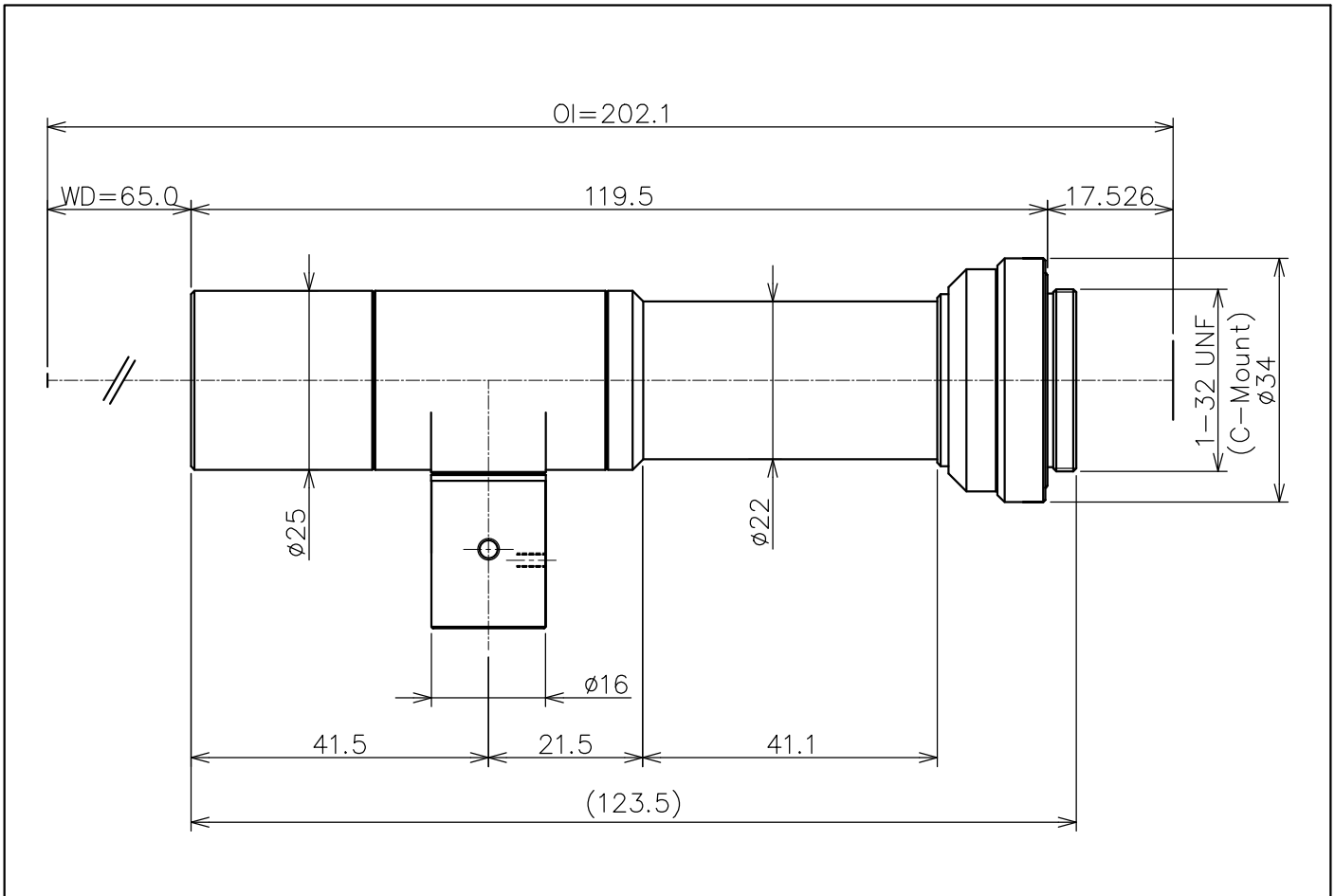


Model No.	FT60-65	
Application	Object side Telecentric Lens	
Magnification	6.0x	
W D	65.0mm	
O I	202.1mm	
F NO.	26.8	
Object side NA	0.11	
Resolution	3.0 $\mu$ m	
Depth of field	0.06mm	
TV Distortion	1/1.8"	0.00%
	2/3"	0.00%
Weight	-	
Image size	1/2" , 1/1.8" , 2/3"	
Mount	C-Mount	

※1 Resolution indicates a theoretical resolution at a wavelength of 550nm.  
 ※2 Depth of field is calculated assuming a horizontal 320 TV resolution using 1/2 CCD camera (permissible circle of confusion 40  $\mu$  ).  
 ※3 Indicated specifications are design values.  
 ※4 Specifications are subject to change.



Model No.	FT60C-65	
Application	Object side Telecentric Lens	
Magnification	x6.0	
W D	65.0mm	
O I	202.1mm	
F NO.	26.8	
Object side NA	0.11	
Resolution	3.0 μm	
Depth of field	0.06mm	
TV Distortion	1/1.8"	0.00%
	2/3"	0.00%
Weight	-	
Image size	1/2" , 1/1.8" , 2/3"	
Mount	C-Mount	

- ※1 Resolution indicates a theoretical resolution at a wavelength of 550nm.
- ※2 Depth of field is calculated assuming a horizontal 320 TV resolution using 1/2 CCD camera (permissible circle of confusion 40 μ).
- ※3 Indicated specifications are design values.
- ※4 Specifications are subject to change.