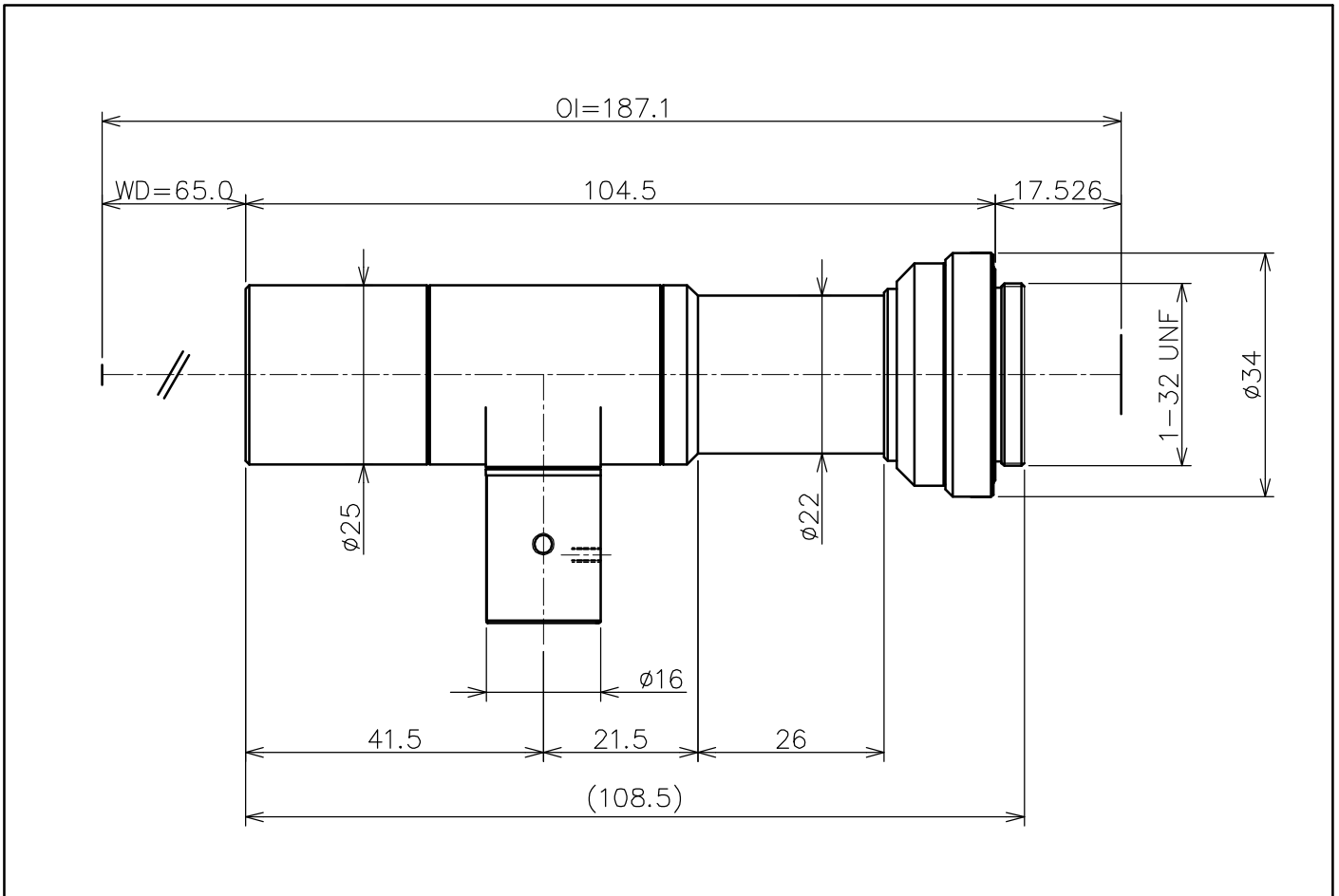


Model No.	FT40-65	
Application	Object side Telecentric Lens	
Magnification	x4.0	
W D	65.0mm	
O I	187.1mm	
F NO.	17.8	
Object side NA	0.11	
Resolution	1.9 μ m	
Depth of field	0.09mm	
TV Distortion	1/1.8"	0.00%
	2/3"	0.00%
Weight	-	
Image size	1/2" , 1/1.8" , 2/3"	
Mount	C-Mount	

※1 Resolution indicates a theoretical resolution at a wavelength of 550nm.
 ※2 Depth of field is calculated assuming a horizontal 320 TV resolution using 1/2" CCD camera (permissible circle of confusion 40 μ).
 ※3 Indicated specifications are design values.
 ※4 Specifications are subject to change.



Model No.	FT40C-65	
Application	Object side Telecentric Lens	
Magnification	x4.0	
W D	65.0mm	
O I	187.1mm	
F NO.	17.8	
Object side NA	0.11	
Resolution	1.9 μ m	
Depth of field	0.09mm	
TV Distortion	1/1.8"	0.00%
	2/3"	0.00%
Weight	-	
Image size	1/2" , 1/1.8" , 2/3"	
Mount	C-Mount	

※1 Resolution indicates a theoretical resolution at a wavelength of 550nm.
 ※2 Depth of field is calculated assuming a horizontal 320 TV resolution using 1/2" CCD camera (permissible circle of confusion 40 μ).
 ※3 Indicated specifications are design values.
 ※4 Specifications are subject to change.