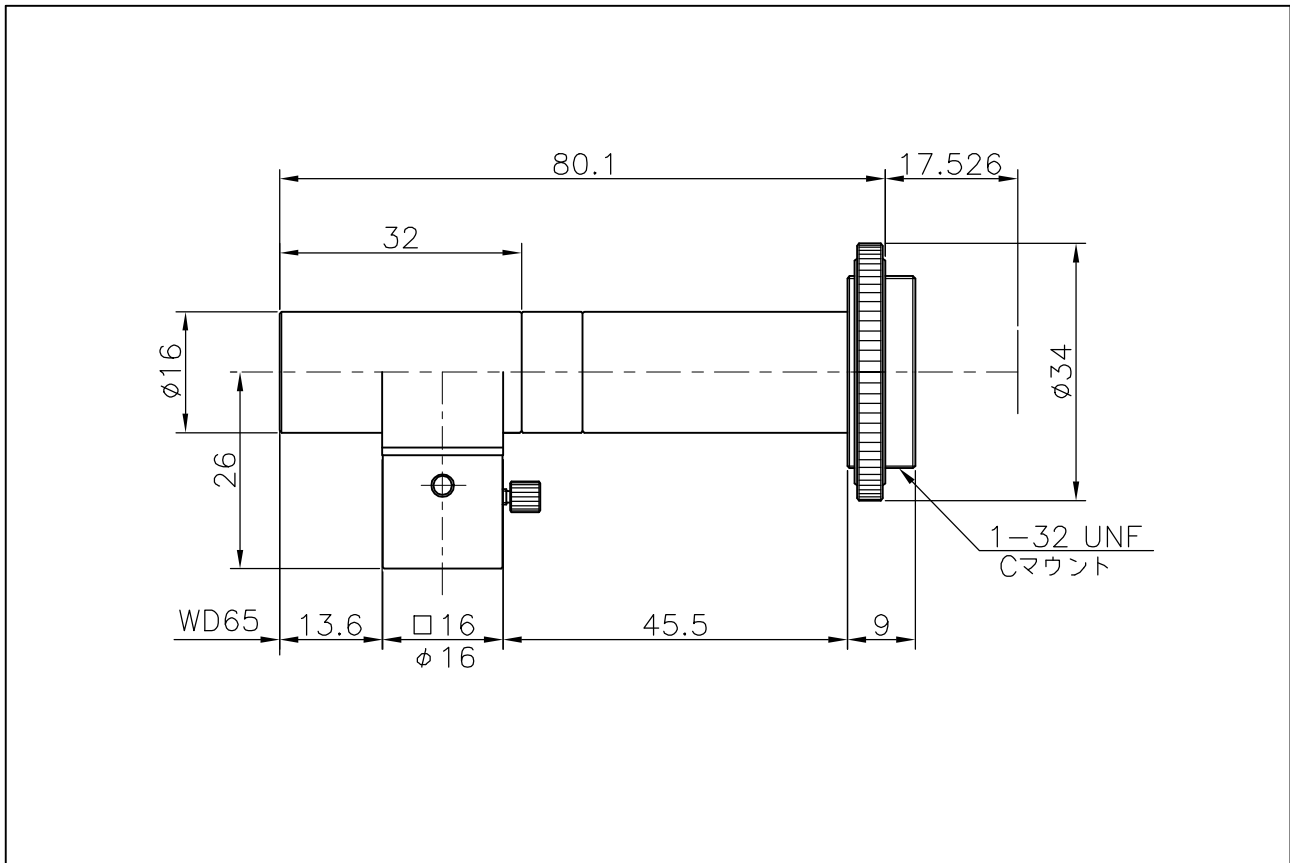


TL60C-65



MODEL	TL60C-65	
Application	Object side Telecentric lens	
Magnification	× 6.0	
W D	65.0mm	
O I	162.6mm	
F.NO	39.0	
Object side NA	0.079	
Object side Resolving power	4.25 μ	
Depth of field	0.09mm	
Optical Distortion	1/3"	0.31%
	1/2"	0.55%
	2/3"	1.05%
TV Distortion	1/3"	0.10%
	1/2"	0.17%
	2/3"	0.33%
Weight	-	
Image size	2/3	
Mount	C Mount	

※1 Numerical value of resolving power is the value, indicated at wave length 550nm.

※2 It is assumed that CCD is $\frac{1}{2}$ inch, and resolution is 320 TV lines when depth of field value is calculated. (Permissible circle of confusion 40 μ m.)