

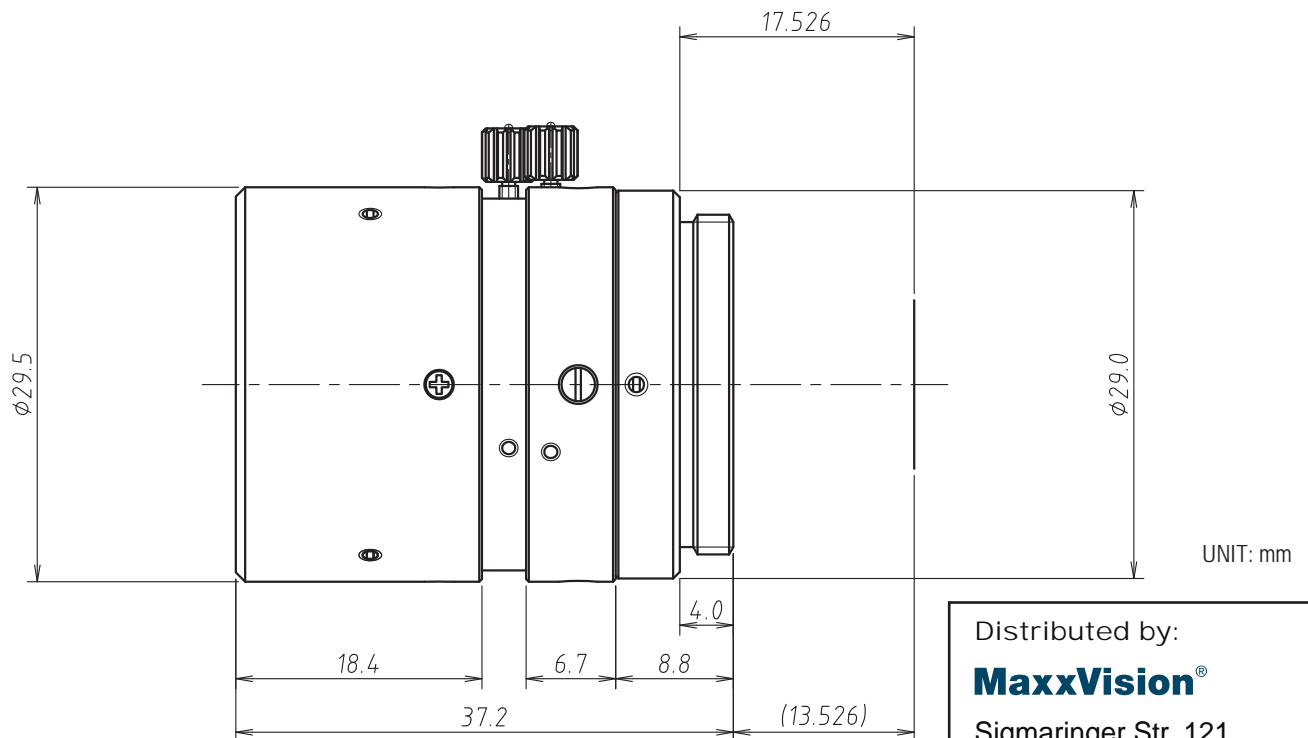
TC1614-3MP

2/3" f=16mm F/1.4 3Megapixel Lens

● SPECIFICATIONS

MODEL NUMBER		TC1614-3MP	FILTER SIZE	M27 P=0.5
IMAGE FORMAT		2/3inch	DIMENSIONS	φ 29.5x37.2mm
FOCAL LENGTH		16mm	WEIGHT	64g
MAXIMUM APERTURE		F1:1.4	OPERATING TEMPERATURE	-20°C -+55°C
APERTURE RANGE		F1.4-16	MOUNT	C-mount
M.O.D.		0.25 m	FLANGE BACK	17.526mm
ANGLE OF VIEW (at 2/3inch)	HORIZONTAL	30.99°	BACK FOCUS	14.59mm
	VERTICAL	23.43°		

● DIMENSIONS



Distributed by:

MaxxVision®

Sigmaringer Str. 121
70567 Stuttgart

Tel.: +49 711 997 996 3

Fax: +49 711 997 996 50

www.maxxvision.com

info@maxxvision.com