

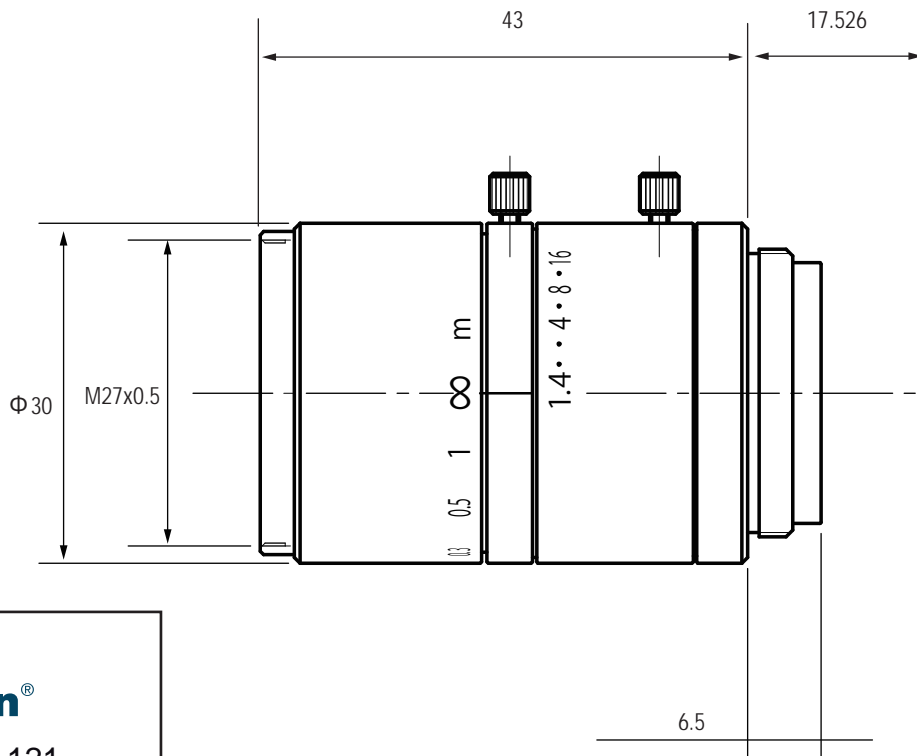
## TC1614-3MP G

## 2/3" f=16mm F/1.4 Macro 3.6Megapixel Lens

### ● SPECIFICATIONS

MODEL NUMBER		TC1614-3M G	FILTER SIZE	M27X0.5
IMAGE FORMAT		2/3inch	DIMENSIONS	φ 30x43mm
FOCAL LENGTH		16mm	WEIGHT	70g
MAXIMUM APERTURE		F1:1.4	OPERATING TEMPERATURE	-10°C +50°C
APERTURE RANGE		F1.4-16	MOUNT	C-mount
M.O.D.		0.1 m	FLANGE BACK	17.526mm
ANGLE OF VIEW (at 2/3inch)	HORIZONTAL	30.46 °	BACK FOCUS	11.75mm
	VERTICAL	23.07 °		

### ● DIMENSIONS



Distributed by:

**MaxxVision®**

Sigmaringer Str. 121  
70567 Stuttgart

Tel.: +49 711 997 996 3

Fax: +49 711 997 996 50

www.maxxvision.com

info@maxxvision.com

UNIT: mm