

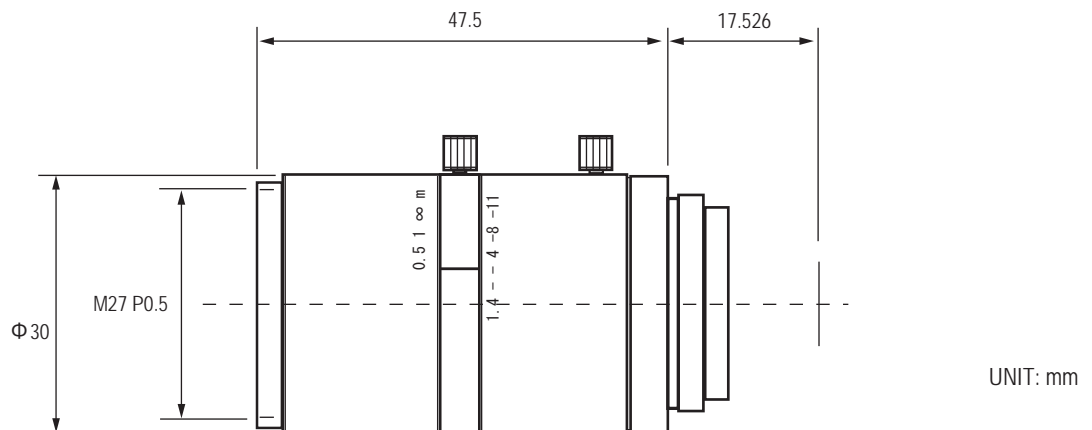
TC1214-3MP G

2/3" f=12mm F/1.4 Macro 3Megapixel Lens

● SPECIFICATIONS

MODEL NUMBER		TC1214-3MP G	FILTER SIZE	M25.5 P=0.5
IMAGE FORMAT		2/3inch	DIMENSIONS	φ 30x47.5mm
FOCAL LENGTH		12mm	WEIGHT	80g
MAXIMUM APERTURE		F1:1.4	OPERATING TEMPERATURE	-10°C -+50°C
APERTURE RANGE		F1.4-16	MOUNT	C-mount
M.O.D.		0.1 m	FLANGE BACK	17.526mm
ANGLE OF VIEW (at 2/3inch)	HORIZONTAL	39.6°	BACK FOCUS	11.7mm
	VERTICAL	30.2°		

● DIMENSIONS



Distributed by:

MaxxVision®

Sigmaringer Str. 121

70567 Stuttgart

Tel.: +49 711 997 996 3

Fax: +49 711 997 996 50

www.maxxvision.com

info@maxxvision.com