

TC0816-10MP

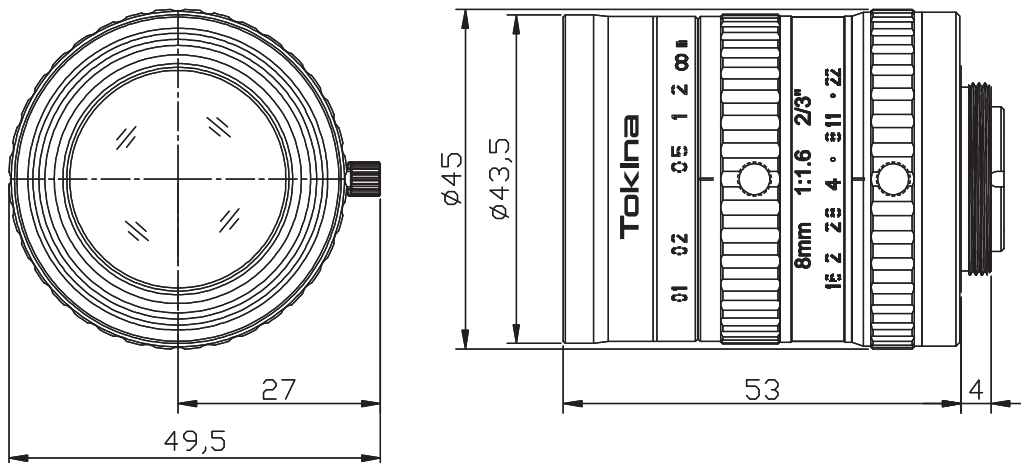
2/3" f=8mm F/1.6 10Megapixel Lens

● SPECIFICATIONS

MODEL NUMBER		TC0816-10MP	FILTER SIZE	M40.5 X0.5
IMAGE FORMAT		2/3-inch	DIMENSIONS	φ 45 x 53mm
FOCAL LENGTH		8mm	WEIGHT	170g
MAXIMUM APERTURE		F1:1.6	OPERATING TEMPERATURE	-10°C -+50°C
APERTURE RANGE		F1.6-22	MOUNT	C-mount
M.O.D.		0.15 m	FLANGE BACK	17.526mm
ANGLE OF VIEW (at 2/3 inch)	HORIZONTAL	55.8 °	BACK FOCUS	12.44mm
	VERTICAL	43.3 °		
				10Megapixel

Up to 2.4micron CX625 (3.45micron)

● DIMENSIONS



UNIT: mm

Distributed by:

MaxxVision®

Sigmaringer Str. 121

70567 Stuttgart

Tel.: +49 711 997 996 3

Fax: +49 711 997 996 50

www.maxxvision.com

info@maxxvision.com