

HZ8551M

[SPECIFICATIONS] 6x Var i -Zoom Lens

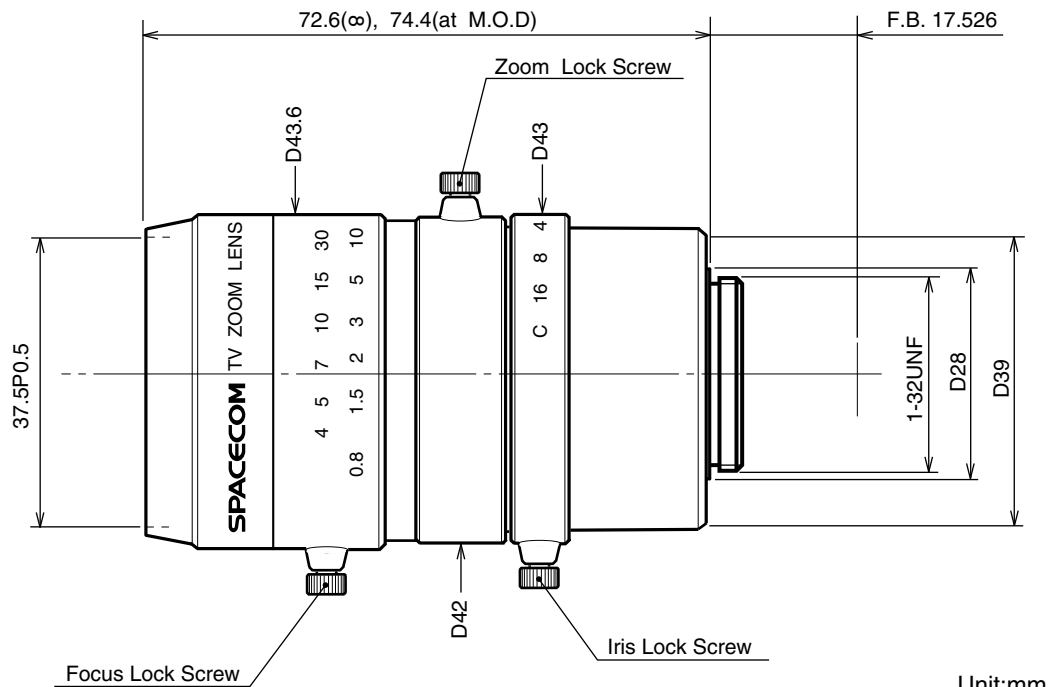
Image Size: $\frac{1}{2}$ $\frac{1}{3}$ $\frac{1}{4}$

Focal Length :	8.5 - 51mm	Optical Back Focal Distance :	15.89mm(In Air)
Maximum Relative Aperture :	1:1.6	Flange Back :	17.526mm
Iris :	F1.6 - Close	Operation :	Zoom : Manual Focus : Manual Iris : Manual
Angular Field of View :	41.3 X31.5 deg. at 8.5mm 7.2 X 5.4 deg. at 51mm	Operation Temperature :	-10 to +50
Image Format :	6.4X4.8mm(D6mm)	Mount :	C-Mount(Adjustable Lens Position)
Minimum Object Distance :	0.8m(From Front Vertex)	Front Thread :	37.5mm P0.5
Object Dimensions at M.O.D :	62.8X45.1cm at 8.5mm 10.9X 8.2cm at 51mm	Size,Weight :	D43.6X72.6mm. 120g

[COMPOSITION]

- Lens1
- Lens Cap1
- Dust Cap1

[DIMENSIONS]



Unit:mm

MaxxVision®
Sigmaringer Str. 121
70567 Stuttgart
Tel.: 0711 997 996 3
www.maxxvision.com