

HZ8551DC

[SPECIFICATIONS] 6x Vari-Zoom Lens

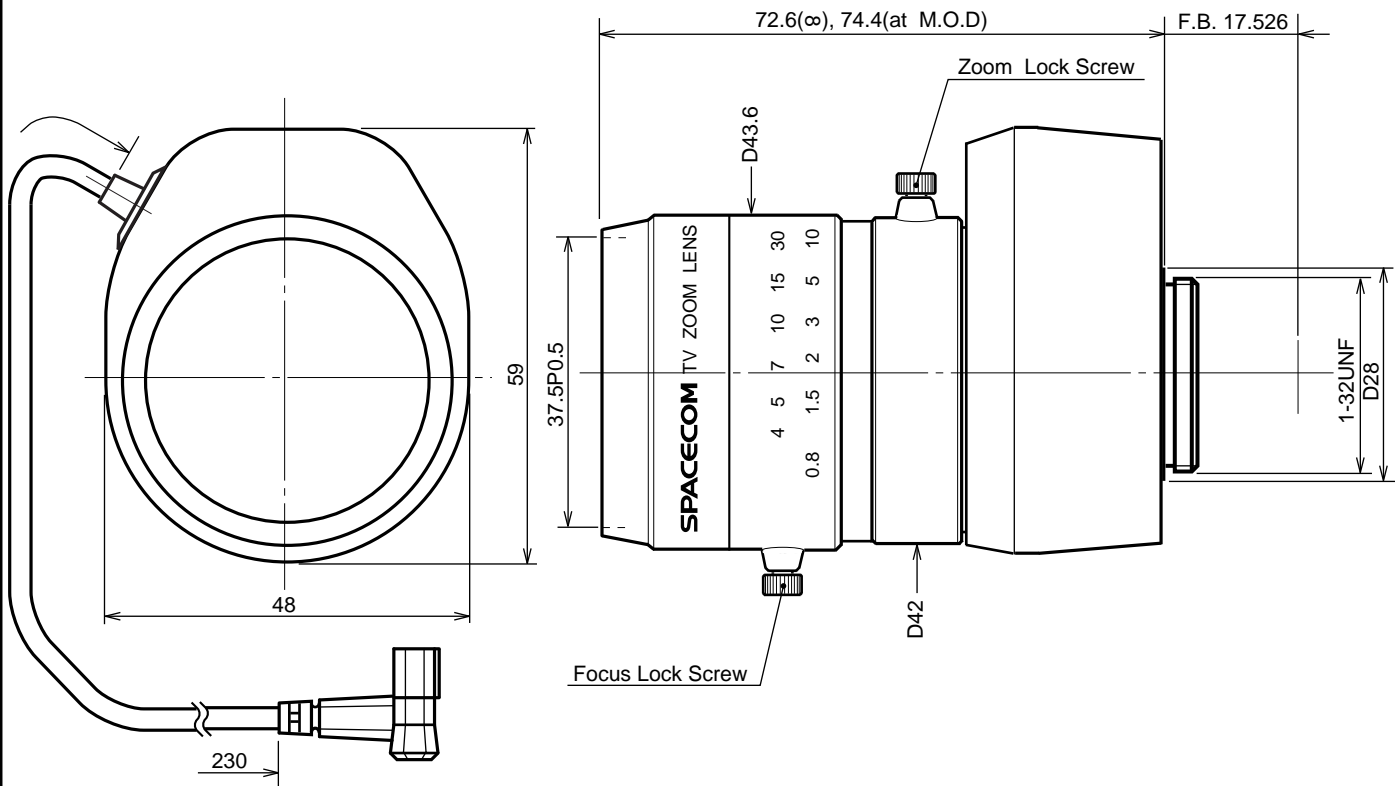
Image Size: $\frac{1}{2}$ $\frac{1}{3}$ $\frac{1}{4}$

Focal Length :	8.5 - 51mm	Flange Back :	17.526mm
Maximum Relative Aperture :	1:1.6	Operation Voltage :	Close to Open : Less than 3V Open to Close : More than 0.5V
Iris :	F1.6 - Approx. 360 (With ND Spot Filter)	Operation :	Focus : Manual Iris : IG(Auto Close System)
Angular Field of View :	41.3 X31.5 deg. at 8.5mm 7.2 X 5.4 deg. at 51mm	Operation Temperature :	-10 to +50
Image Format :	6.4X4.8mm(D8mm)	Mount :	C-Mount(Adjustable Lens Position)
Minimum Object Distance :	0.8m(From Front Vertex)	Front Thread :	37.5mm P0.5
Object Dimensions at M.O.D. :	62.8X45.1cm at 8.5mm 10.9X 8.2cm at 51mm	Size, Weight :	D43.6X72.6X59mm. 130g
Optical Back Focal Distance :	15.89mm(In Air)		

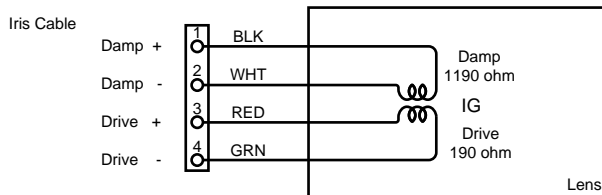
[COMPOSITION]

- Lens1
- Lens Cap1
- Dust Cap1

[DIMENSIONS]



[CIRCUIT DIAGRAM]



MaxxVision®
Sigmaringer Str. 121
70567 Stuttgart
Tel.: 0711 997 996 3
www.maxxvision.com