

HZ8551AI

[SPECIFICATIONS] 6x Vari-Zoom Lens

Image Size: $\frac{1}{2}$ $\frac{1}{3}$ $\frac{1}{4}$

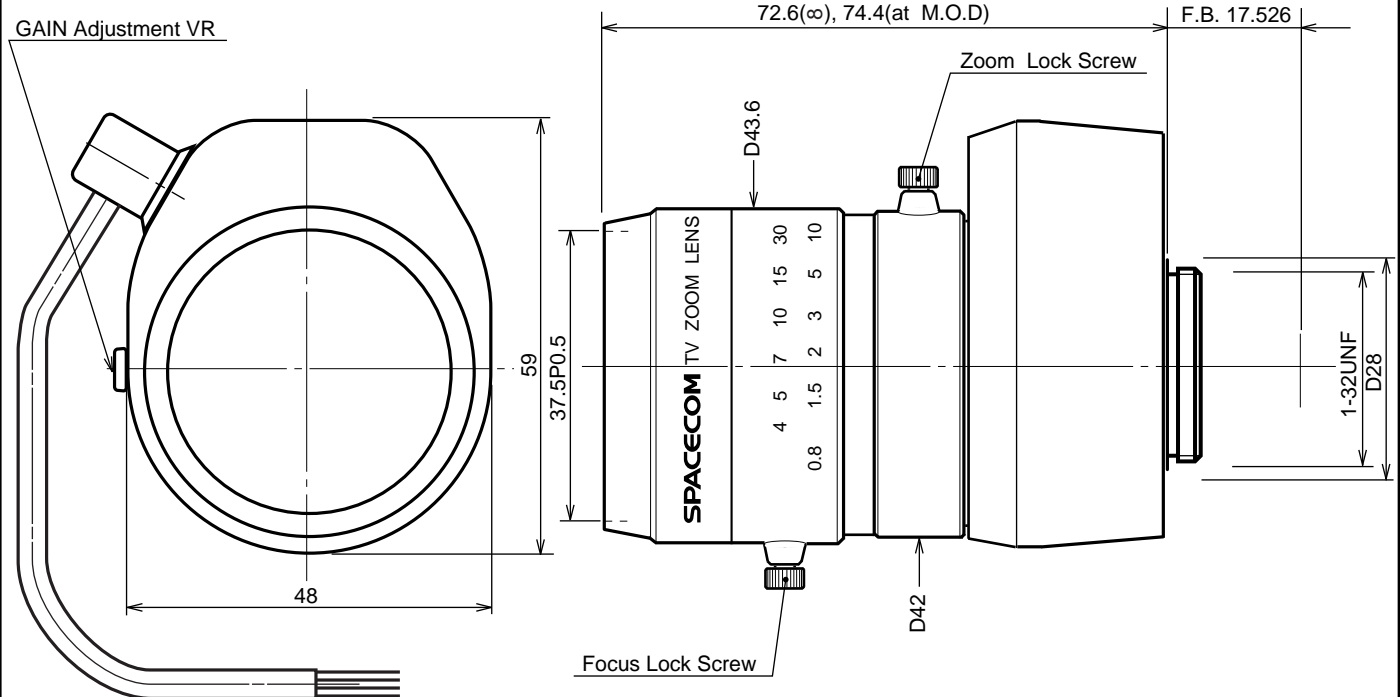
Focal Length : 8.5 - 51mm
 Maximum Relative Aperture : 1:1.6
 Iris : F1.6 - Approx. 360
 (With ND Spot Filter)
 Sensitivity Adjustment : 0.5 - 1Vp-p(Image Signal)
 Angular Field of View : 41.3 X31.5 deg. at 8.5mm
 7.2 X 5.4 deg. at 51mm
 Image Format : 6.4X 4.8mm(D8mm)
 Minimum Object Distance : 0.8m(From Front Vertex)
 Object Dimensions at M.O.D. : 62.8X47.2cm at 8.5mm
 10.9X 8.2cm at 51mm
 Optical Back Focal Distance : 15.89mm(In Air)
 Flange Back : 17.526mm
 Input Signal : Composite Video Signal or Video Signal
 Photometry Range : Approx. 40% - 70% Variable to Vp-p

Input Impedance : High Impedance
 Operation : Focus : Manual
 Iris : EE (DC+8 to 16V : Fixed Voltage, Max40mA)
 Speed Within 4sec.(Auto Close System)
 EE Mechanism : The built-in EE Amp amplifies the difference between the video signal from the camera and the preset Iris signal level. It causes the Iris to change size.
 EE Accuracy : With Input Video Signal 0.7Vp-p
 Within+/-10% of Mean Value
 Operation Temperature : -10 to +50
 Mount : C-Mount(Adjustable Lens Position)
 Front Thread : 37.5mm P0.5
 Size, Weight : D43.6X72.6X59mm. 140g

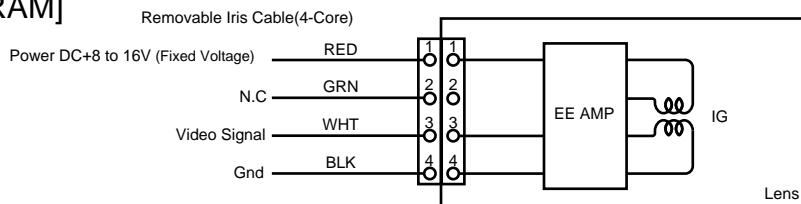
[COMPOSITION]

- Lens1
- Lens Cap1
- Dust Cap1

[DIMENSIONS]



[CIRCUIT DIAGRAM]



MaxxVision®
 Sigmaringer Str. 121
 70567 Stuttgart
 Tel.: 0711 997 996 3
 www.maxxvision.com