

# HZ848DC

**【SPECIFICATIONS】** F1.0 6X High Speed Manual Zoom Lens

Image Size :  $\frac{1}{2}$   $\frac{1}{3}$   $\frac{1}{4}$

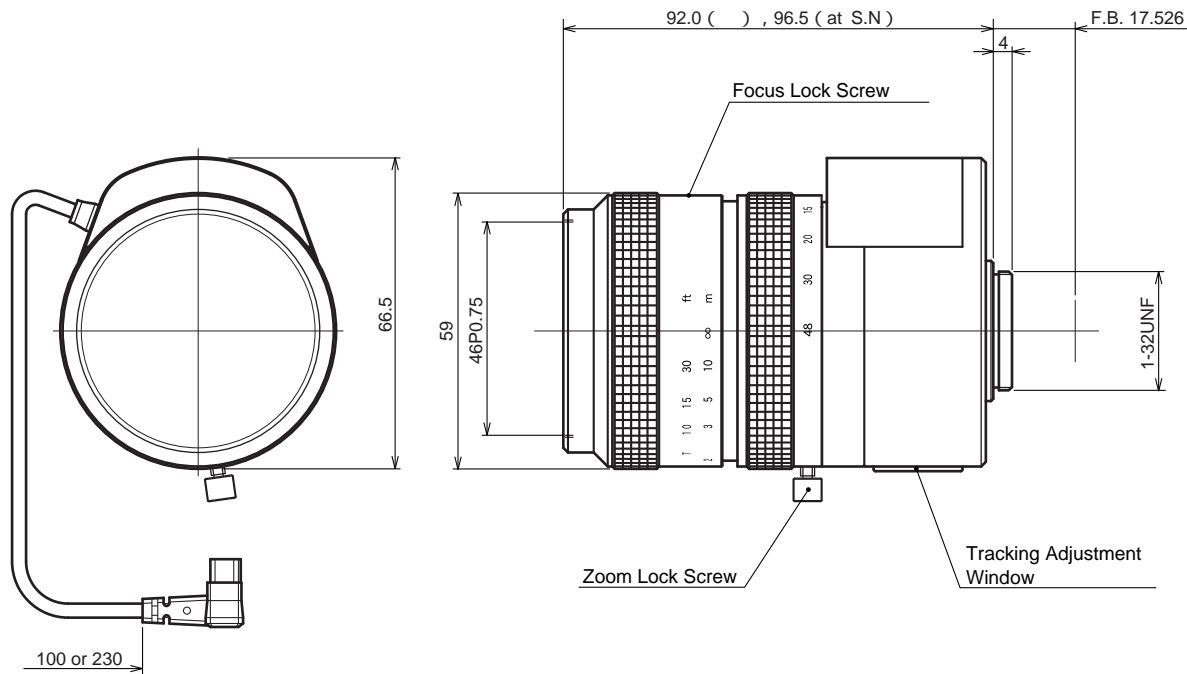
Focal Length : 8 ~ 48mm  
 Maximum Relative Aperture : 1:1.0  
 Iris : F1.0 ~ Approx .360  
 (With ND Spot Filter )  
 Zoom Ratio : 6X  
 Angle of View : 43.6 × 33.4 deg. at 8mm  
 7.7 × 5.7 deg. at 48mm  
 Image Size : 6.4 × 4.8mm ( 8mm )  
 Minimum Object Distance : 1.0m ( From Front Vertex )  
 Close-up photography as far as  
 Object Distance 0.5m is possible by  
 S.N.(Service Near)function of Focus.  
 (Partial eclipse may occur during  
 zooming in the S.N. range with using  
 1/2" camera.)

Optical Back Focal Distance : 14.56mm ( In Air )  
 Flange Back : 17.526mm  
 Operation : Focus : Manual  
 Zoom : Manual  
 Iris : IG(Auto Close System)  
 Close to Open : Less than 4.0V  
 Open to Close : More than 0.1V  
 Speed Within 4sec.  
 Operating Temperature : -10 ~ +50  
 Mount : C-Mount (Adjustable Lens Position )  
 Filter Size : 46mm P0.75  
 Size : 66.5 × 59 × 92.0mm,  
 Weight : Approx 400 g

**【COMPOSITION】**

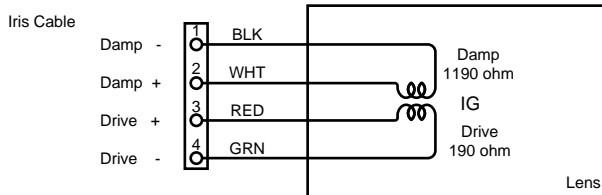
- Lens . . . . . 1
- Lens Cap . . . . . 1
- Dust Cap . . . . . 1

**【DIMENSIONS】**



Unit:mm

**【CIRCUIT DIAGRAM】**



**MaxxVision®**  
 Sigmaringer Str. 121  
 70567 Stuttgart  
 Tel.: 0711 997 996 3  
 www.maxxvision.com