

# HZ848AI

**【SPECIFICATIONS】** F1.0 6X High Speed Manual Zoom Lens

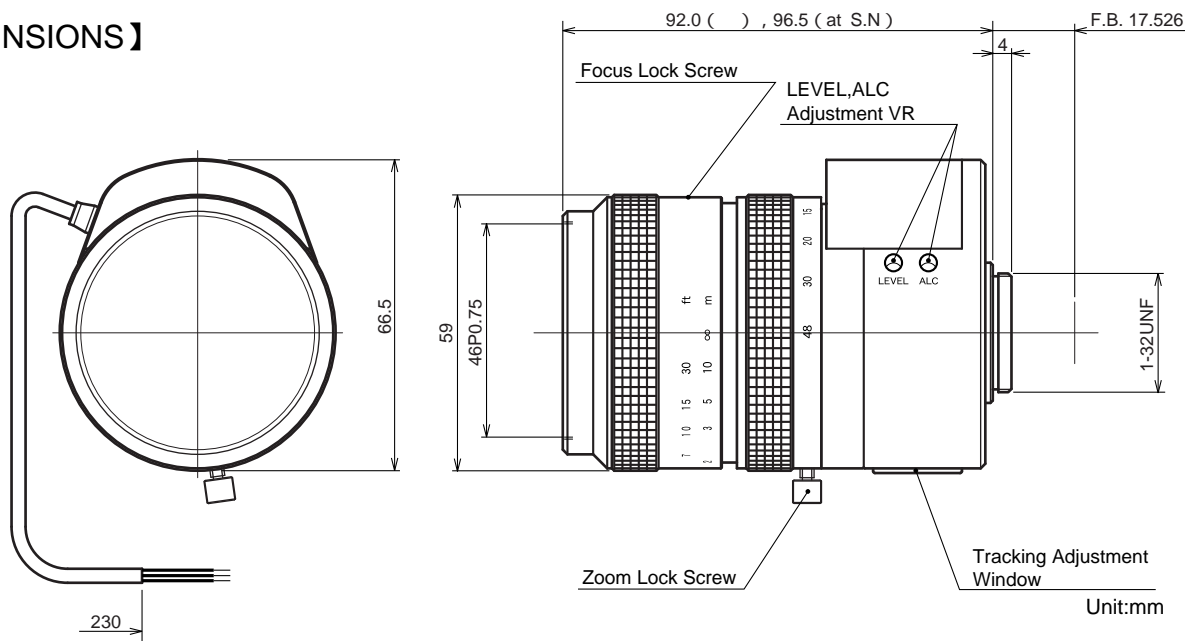
Image Size :  $\textcircled{1/2}$   $\textcircled{1/3}$   $\textcircled{1/4}$

Focal Length :	8 ~ 48mm	Photometry Range :	Approx.40 ~ 70% Variable to Vp-p
Maximum Relative Aperture :	1:1.0	Input Impedance :	High Impedance
Iris :	F1.0 ~ Approx .360 (With ND Spot Filter )	Operation :	Zoom : Manual Focus : Manual Iris : EE(DC+6.5 to 16V : Max40mA)
Zoom Ratio :	6X	EE Mechanism :	The built-in EE Amp amplifies the difference between the video signal from the camera and the preset Iris signal level. It causes the Iris to change size.
Angle of View :	43.6 x 33.4 deg. at 8mm 7.7 x 5.7 deg. at 48mm	EE Accuracy :	With Input Video Signal 0.7Vp-p Within $\pm 10\%$ of Mean Value
Image Size :	6.4 x 4.8mm ( 8mm )	Operating Temperature :	-10 ~ +50
Minimum Object Distance :	1.0m ( From Front Vertex ) Close-up photography as far as Object Distance 0.5m is possible by S.N.(Service Near)function of Focus. (Partial eclipse may occur during zooming in the S.N. range with using 1/2" camera.)	Mount :	C-Mount (Adjustable Lens Position )
Optical Back Focal Distance :	14.56mm ( In Air )	Filter Size :	46mm P0.75
Flange Back :	17.526mm	Size :	66.5 x 59 x 92.0mm,
Input Signal :	Composite Video Signal, Video Signal	Weight :	Approx 400 g
Sensitivity Adjustment :	0.3 ~ 1.0Vp-p(Image Signal )		

**【COMPOSITION】**

- Lens . . . . . 1
- Lens Cap . . . . . 1
- Dust Cap . . . . . 1

**【DIMENSIONS】**



**【CIRCUIT DIAGRAM】**

