

HZ8136RDC-MP2

[SPECIFICATIONS] 1/2" Megapixel Motorized Zoom Lens

Image Size: $\frac{1}{2}$ $\frac{1}{3}$

Focal Length: 8~136mm
 Maximum Relative Aperture: 1:1.6
 Iris: F1.6~360
 Zoom Ratio: 17X
 Angle Field of View: 43.6 × 33.4 deg. at 8mm
 2.7 × 2.2 deg. at 136mm
 Image Size: 6.4 × 4.8mm (φ 8mm)
 Minimum Object Distance: 1.8m (From Front Vertex)
 Optical Back Focal Distance: 19.33mm (In Air)
 Flange Back: 17.526mm

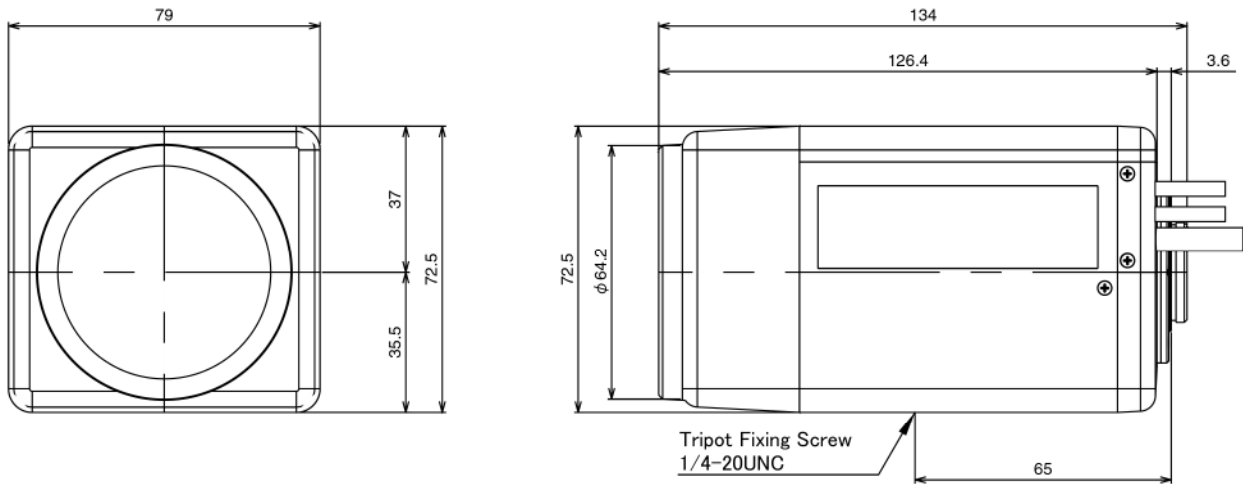
Operation: Zoom: Motorized (DC±6.4V, Max40mA)
 Speed Approx. 4 sec.
 Focus: Motorized (DC±6.4V, Max40mA)
 Speed Approx. 5 sec.
 Iris: IG (Auto Close System)
 Close→Open : Less than 4.0V
 Open→Close : More than 0.1V
 Operation Temperature: -10 to +50°C
 Mount: C-Mount (Adjustable Lens Position)
 Filter Size: 58mm P0.75
 Size: 79 × 72.5 × 130mm
 Weight: Approx. 650g

[COMPOSITION]

- Lens.....1
- Lens Cap.....1
- Dust Cap.....1

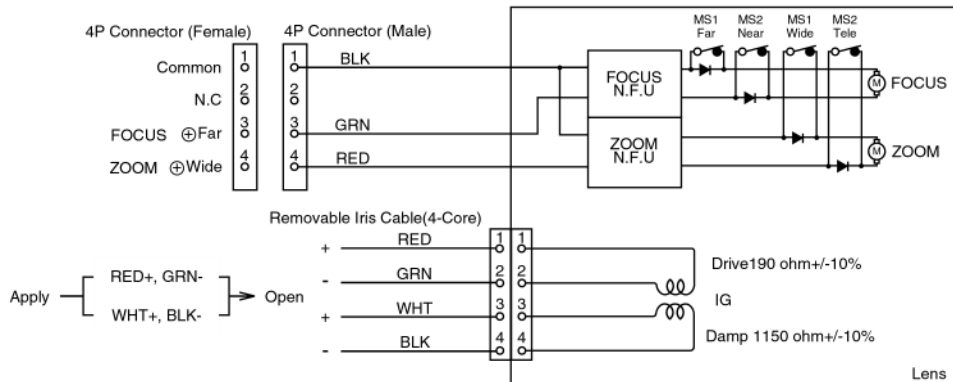
4-Conductor Connector(Female) 1
 (Any 4-conductor cable of external dia 6mm to be prepared separately.)

[DIMENSION]



Unit:mm

[CIRCUIT DIAGRAM]



MaxxVision®
 Sigmaringer Str. 121
 70567 Stuttgart
 Tel.: 0711 997 996 3
 www.maxxvision.com