

**【SPECIFICATIONS】** 2/3" format 5.0 Mega Pixel Lens

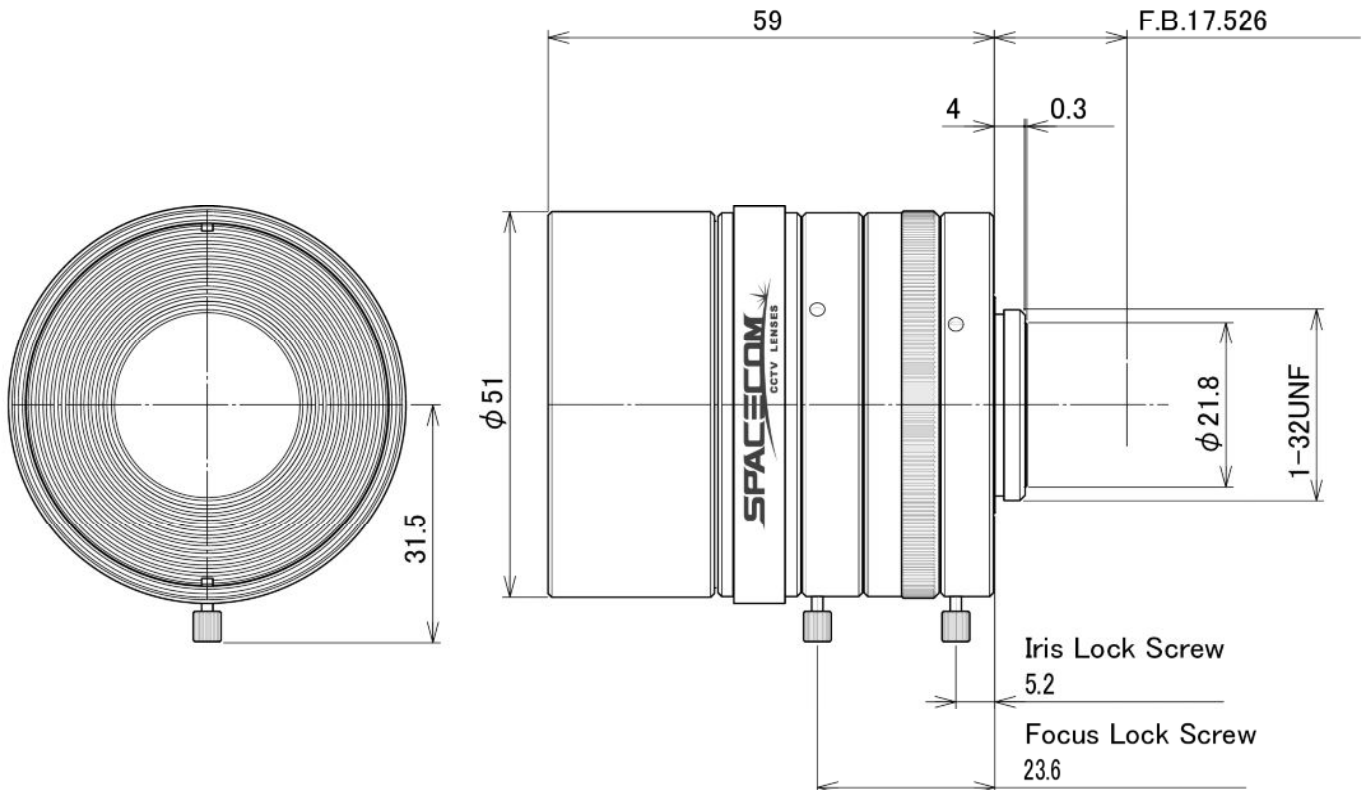
Image Size:  $\frac{2}{3}$   $\frac{1}{2}$   $\frac{1}{3}$

Focal Length:	12mm	Back Focus:	14.00mm (In Air)
Maximum Relative Aperture:	1:1.8	Flange Back:	17.526mm
Iris:	F1.8~22	Operation:	Focus: Manual
Anglar Field of View:	40.3° × 30.8°		Iris: Manual (Click Way)
Image Format:	8.8 × 6.6mm (φ 11mm)	Operation Temperature:	-10~+50°C
Minimum Object Distance:	0.15m (From Vertex)	Mount:	C-Mount (Adjustable lens position)
Resolution:	3.45 μ m	Front Thread:	49mm P0.75
TV Distortion:	-0.12% (∞)	Size, weight:	φ 51 × 48mm Approx.200g
	-0.32% (M.O.D.)		

**【COMPOSITION】**

- Lens.....1
- Front Cap.....1
- Rear Cap.....1

**【DIMENSIONS】**



**MaxxVision®**

Sigmaringer Str. 121  
70567 Stuttgart  
Tel.: 0711 997 996 3  
www.maxxvision.com

Unit:mm