

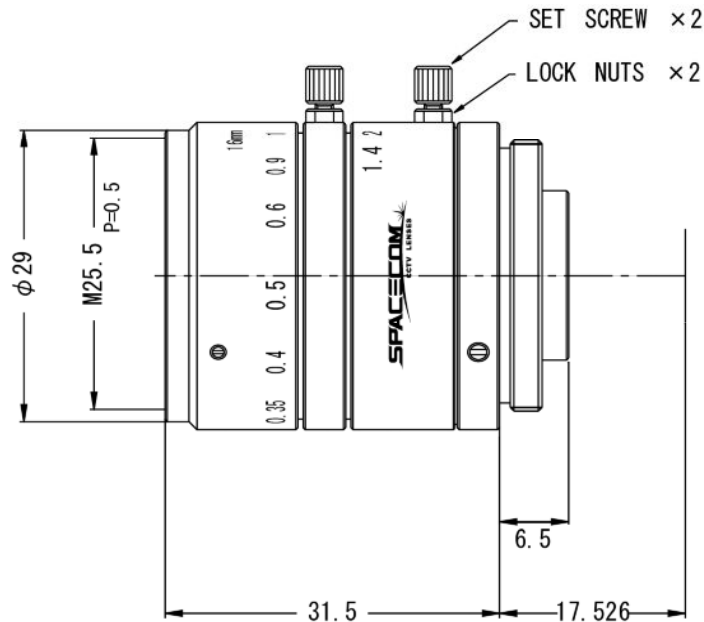
[SPECIFICATIONS] 1/1.8" 3MegaPixel High Resolution Lens

Image Size: $\text{\textcircled{1/1.8}}$ $\text{\textcircled{1/2}}$ $\text{\textcircled{1/3}}$

Focal Length :	16mm	Flange Back :	17.526mm
Maximum Relative Aperture :	1:1.4	Operation :	Focus : Manual Iris : Manual
Iris :	F1.4 - 16	Operation Temperature :	-10 to +50 deg.
Angular Field of View :	24 X 18 deg.	Mount :	C-Mount
Image Format :	7.04X5.28mm(D8.8mm)	Front Thread :	25.5mm P0.5
Minimum Object Distance :	0.3m(From Front Vertex)	Size, Weight :	D29X31.5mm, Approx. 45g
Object Dimensions at M.O.D :	16.7X12.5cm		
Optical Back Focal Distance :	11.35mm(In Air)		

[Resolution] 3.6 μm (Center) 5 μm (Corner)
 [Distortion] +0.06%

[DIMENSIONS]



MaxxVision®
 Sigmaringer Str. 121
 70567 Stuttgart
 Tel.: 0711 997 996 3
 www.maxxvision.com