

78MP Fixed Focal Length Lenses NEW



Product Features

- **High resolution**
 Compatible with cameras which pixel $\geq 3.2\mu\text{m}$ and max. full frame($\varnothing 44\text{mm}$) sensor; resolution up to 160 lp/mm in full FOV
- **Broad spectrum**
 The coating band is 400-1000nm, compatible with visible light and near-infrared band applications.
- **Floating focus structure design**
 The floating focus structure design is adopted to effectively ensure good optical performance under a wide working distance range^[1].

[1] Equipped with flange adjustment gaskets to maximize the optical performance of the lens used with the camera.

Resolution Comparison

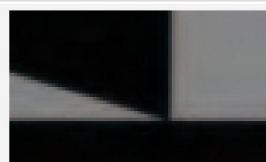


Image taken by OPT 78MP Lens

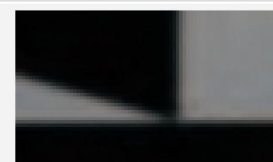


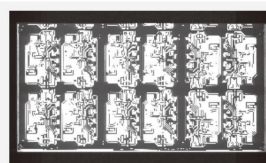
Image taken by other lens

Selection Guide

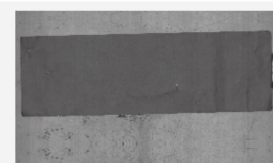
OPT-F3545-78M

- 78MP
- F#: 4.5
- Focal length: 35mm
- F: F-Mount, M: M-Mount
- Brand name

Application Cases



Circuit board defect detection



Lithium battery pole piece defect detection



LCD screen defect detection



Printing quality inspection

Model Table

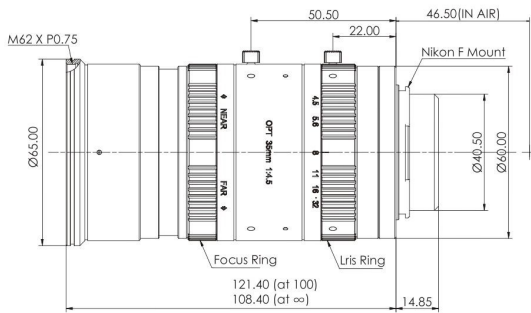
No	Model	Focal length (mm)	Aperture range	WD (mm)	Image circle \varnothing (mm)	Resolution (μm)	Interface	Filter thread	Flange focal distance (mm)	Back Focal Length (mm)	Optical distortion	Mag. at MOD	Weight (kg)
1	OPT-F3545-78M	35	F4.5-F32	100- ∞	44	3.2	F	M62 x P0.75	46.5	37.71	<1.25% at WD200mm <1.00% at WD300mm <0.80% at WD500mm	0.246X at WD100 0.107X at WD300 0.069X at WD500	0.93

Model Table

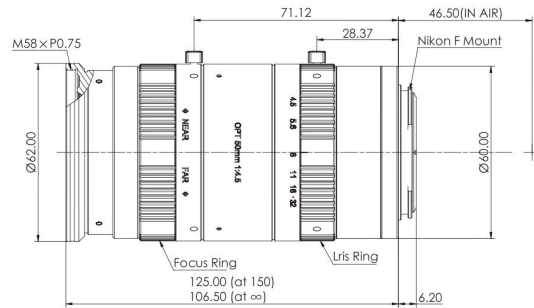
No	Model	Focal length (mm)	Aperture range	WD (mm)	Image circle Ø (mm)	Resolution (µm)	Interface	Filter thread	Flange focal distance (mm)	Back Focal Length (mm)	Optical distortion	Mag. at MOD	Weight (kg)
2	OPT-F5045-78M	50	F4.5-F32	150-∞	44	3.2	F	M58 x P0.75	46.5	45.73	<0.42% at WD200mm	0.326X at WD150	0.75
											<0.16% at WD300mm	0.166X at WD300	
											<0.28% at WD500mm	0.100X at WD500	
3	OPT-M3545-78M	35	F4.5-F32	100-∞	44	3.2	M58	M62 x P0.75	46.5	37.71	<1.25% at WD200mm	0.246X at WD100	0.93
											<1.00% at WD300mm	0.107X at WD300	
											<0.80% at WD500mm	0.069X at WD500	
4	OPT-M5045-78M	50	F4.5-F32	150-∞	44	3.2	M58	M58 x P0.75	46.5	45.73	<0.42% at WD200mm	0.326X at WD150	0.75
											<0.16% at WD300mm	0.166X at WD300	
											<0.28% at WD500mm	0.100X at WD500	

Dimensions (mm)

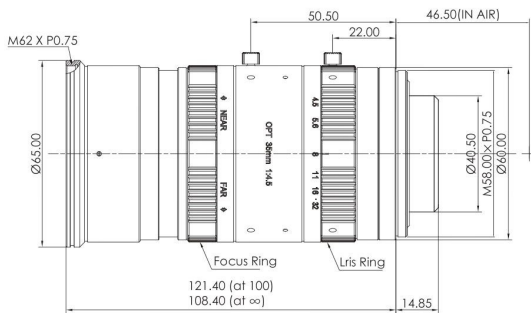
1.OPT-F3545-78M



2.OPT-F5045-78M



3.OPT-M3545-78M



4.OPT-M5045-78M

