

XLS Series



Line Scan Lens for Large Image Circle, φ90mm

Compatible with large image circle, up to φ90mm sensor

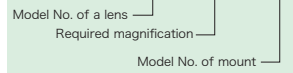
- Suitable for large sensor such as 「5μm x 12288 bit」, 「3.5μm x 16384 bit」, 「5μm x 16384bit」, etc...
- Suitable for large area sensor of high resolution such as 20 Mega Pixel, 25 Mega Pixel, and 29 Mega Pixel
- Reduce color aberration, suitable for 3 line sensor
- Excellent uniformity of brightness and resolution
- Possible to adjust ±0.05x from the original magnification by using the optional mount
- Each mount is available



How to request if magnification is other than standard.

Ex.) 0.67x for Dalsa P3-12K

XLS075(067)-H

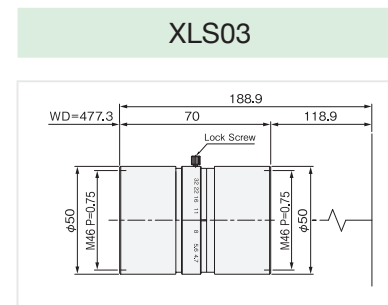


- If a lens is not used at the standard magnification, adjustable range is not ±0.05x.
- Please select one of XLS series which magnification is the closest from required magnification.

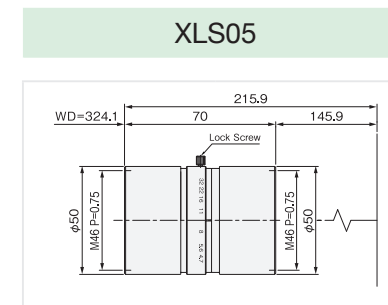
Model No. of Mount

Model	Compatible Camera	Screw Pitch	Back Focal Distance
XLS□□□-F	F Mount Camera	F Mount	46.5mm
XLS□□□-V	Basler 8K	M95 (P=1)	12mm
XLS□□□-E	e2V : ELiixA+ Colour 16K	M95 (P=1)	9.4mm
XLS□□□-DX	DALSA : Piranha XL16K	M90 (P=1)	12mm
XLS□□□-Q	NED : 3 Line Camera NUCLi7300	M84.5 (P=0.5)	41mm
XLS□□□-N	NED : CLISBee 8k	M72 (P=0.75)	31.8mm
XLS□□□-M	DALSA : Piranha2 8k / TAKEX : TL-16000CL	M72 (P=0.75)	19.55mm
XLS□□□-D	DALSA : Piranha4 8k Piranha HS 3 16k	M72 (P=0.75)	12mm
XLS□□□-VW	View Works	M72 (P=0.75)	10.48mm
XLS□□□-H	DALSA : Piranha3 12k Piranha HS 8k 12k Piranha ES 8k	M72 (P=0.75)	6.56mm

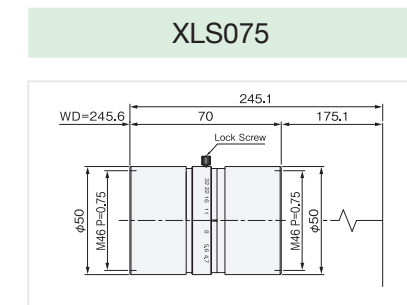
* ±0.05x can be adjusted from the standard magnification by using the mount mentioned above.
 * Customized mount is also available. Please contact us for further information.



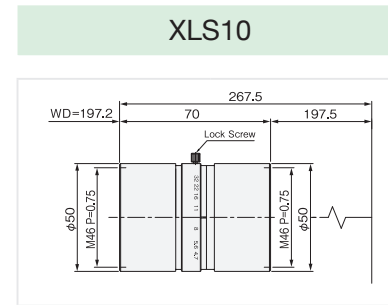
Magnification	0.3x
∞F No.	4.7
F No.	6.0
WD	477mm
OI	666mm
Maximum Compatible sensor	φ 90mm



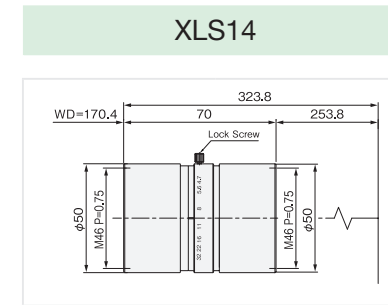
Magnification	0.5x
∞F No.	4.7
F No.	7.0
WD	324mm
OI	540mm
Maximum Compatible sensor	φ 90mm



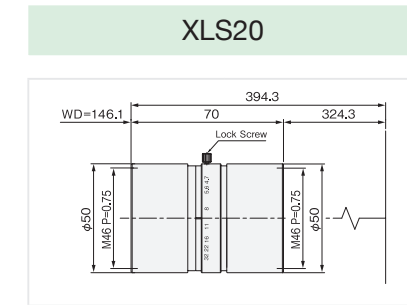
Magnification	0.75x
∞F No.	4.7
F No.	8.1
WD	246mm
OI	491mm
Maximum Compatible sensor	φ 90mm



Magnification	1.0x
∞F No.	4.7
F No.	9.0
WD	197mm
OI	465mm
Maximum Compatible sensor	φ 90mm

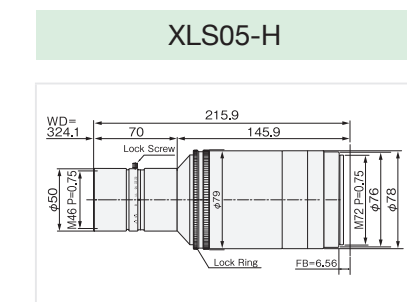
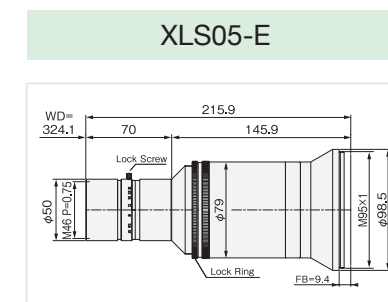
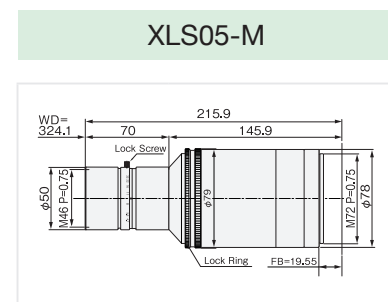
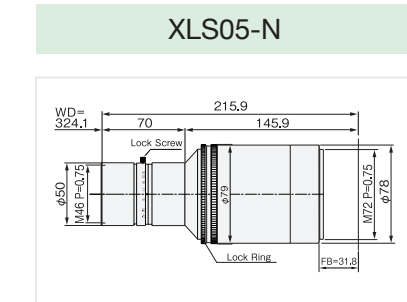
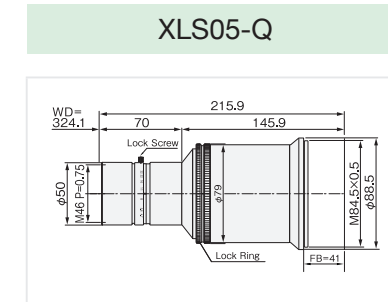
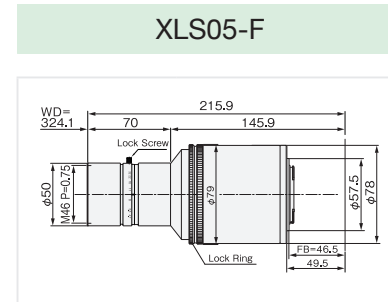


Magnification	1.4x
∞F No.	4.7
F No.	11.4
WD	170mm
OI	494mm
Maximum Compatible sensor	φ 90mm



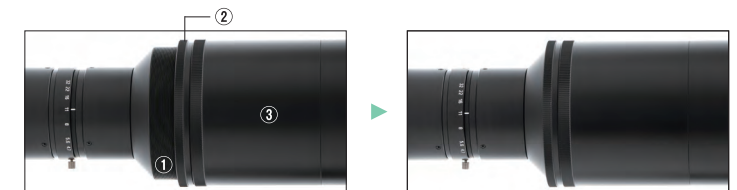
Magnification	2.0x
∞F No.	4.7
F No.	14.5
WD	146mm
OI	540mm
Maximum Compatible sensor	φ 90mm

Example of a lens with mount (XLS05)



How to adjust magnification

- Mount tube is composed by three mechanical parts ①, ②, and ③.
- Magnification increases by extending the mount and decreases by shortening.



* Indicated specifications are design values.