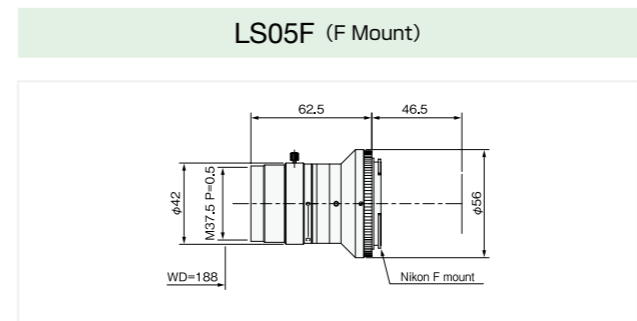


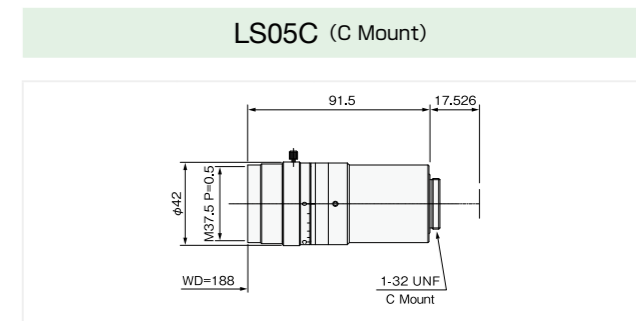
## Fixed Magnification Lens for F Mount

High Resolution and high contrast  
Suitable for LCD, film, and PCB inspection

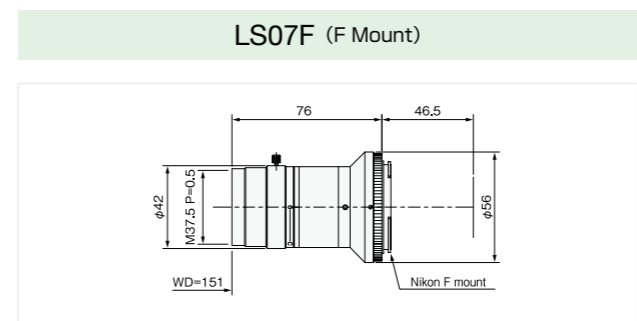
- ▶ Excellent uniformity
- ▶ High resolution from the center to the edge of image
- ▶ Compact design
- ▶ High durability
- ▶ Optical distortion less than 0.1%
- ▶ Suitable for area sensor, over 1 inch
- ▶ TFL-II mount for 12 Mega camera is available



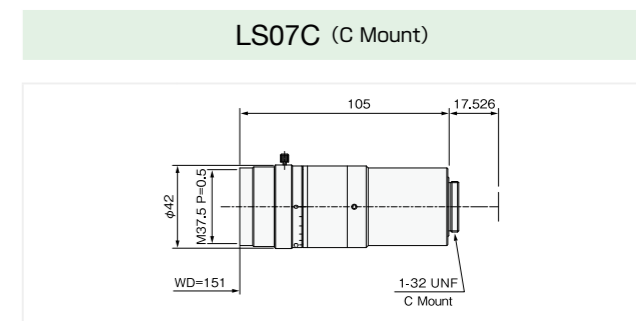
Magnification	0.5x	Resolution	11 μ
WD	188mm	Optical distortion	-0.01%
Depth of field	0.94mm	Maximum Compatible CCD	φ 36mm
F No.	5.1	Mount	F



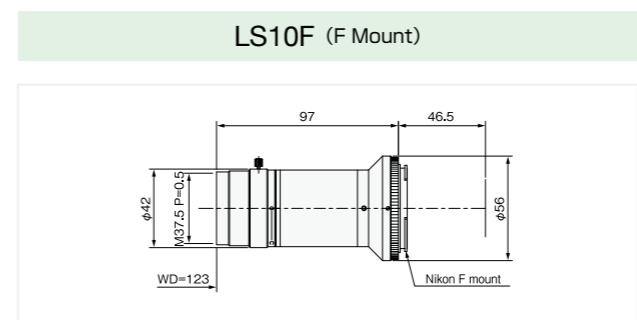
Magnification	0.5x	Resolution	11 μ
WD	188mm	Optical distortion	-0.01%
Depth of field	0.94mm	Maximum Compatible CCD	4/3 (φ 22.6mm)
F No.	5.1	Mount	C



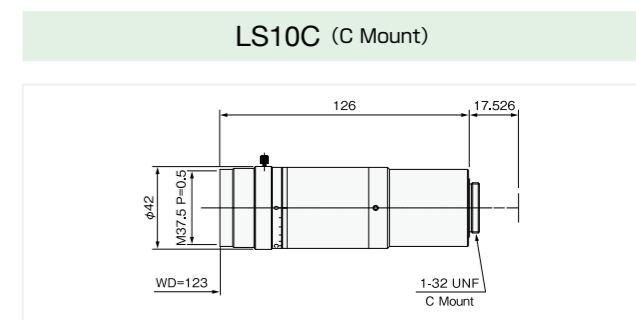
Magnification	0.7x	Resolution	10 μ
WD	151mm	Optical distortion	-0.07%
Depth of field	0.54mm	Maximum Compatible CCD	φ 36mm
F No.	6	Mount	F



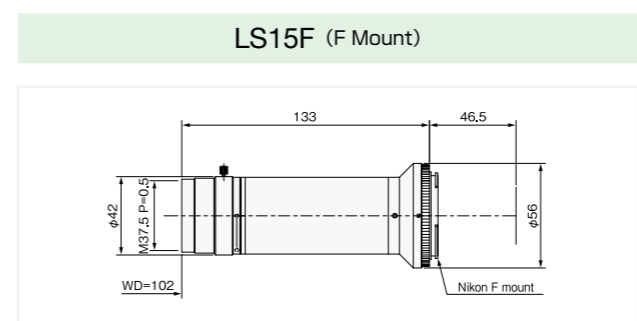
Magnification	0.7x	Resolution	10 μ
WD	151mm	Optical distortion	-0.07%
Depth of field	0.54mm	Maximum Compatible CCD	4/3 (φ 22.6mm)
F No.	6	Mount	C



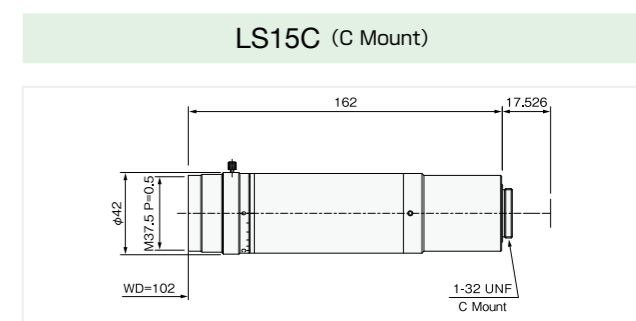
Magnification	1.0x	Resolution	8 μ
WD	123mm	Optical distortion	-0.01%
Depth of field	0.31mm	Maximum Compatible CCD	φ 36mm
F No.	7.5	Mount	F



Magnification	1.0x	Resolution	8 μ
WD	123mm	Optical distortion	-0.01%
Depth of field	0.31mm	Maximum Compatible CCD	4/3 (φ 22.6mm)
F No.	7.5	Mount	C



Magnification	1.5x	Resolution	7 μ
WD	102mm	Optical distortion	0.26%
Depth of field	0.17mm	Maximum Compatible CCD	φ 36mm
F No.	9.9	Mount	F



Magnification	1.5x	Resolution	7 μ
WD	102mm	Optical distortion	0.26%
Depth of field	0.17mm	Maximum Compatible CCD	4/3 (φ 22.6mm)
F No.	9.9	Mount	C

\* Indicated specifications are design values. \* Resolution is calculated based on MTF. \* Resolution indicates a theoretical resolution at wavelength of 550nm.  
\* Depth of field is calculated assuming F No. (∞) 5.6 and resolution of 14 μ camera.