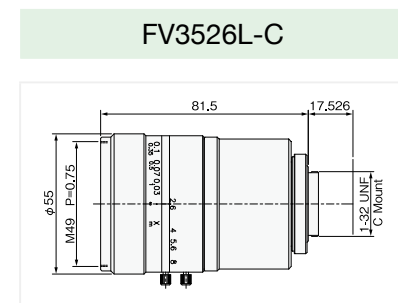


FV-L Series

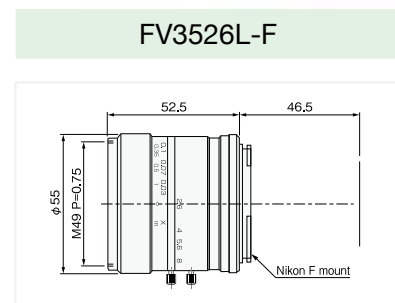
Macro Lens for Line and Area Scan Sensor

Design for macro imaging, suitable for large area and line scan camera

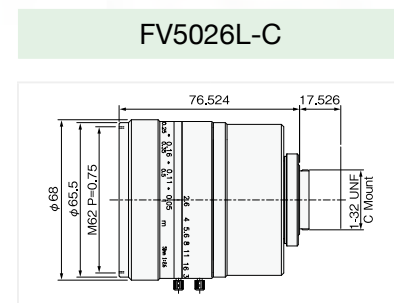
- Adjustable focus and iris
- Design for macro imaging, suitable for machine vision application
- Suitable for inspection of wafer, PCB, electronic parts, etc..., required for high resolution at short working distance
- FV8528L-M is compatible with M72 mount
- Compatible with large image format of high resolution area camera



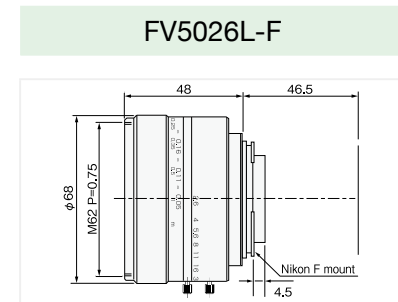
Magnification	35mm
∞ F No.	2.6
Range of WD	0.18m - 0.4m
Magnification at MOD	0.2x
Optical distortion	-0.05%
Maximum Compatible CCD	1.2 inch (φ 21.4mm)
Mount	C



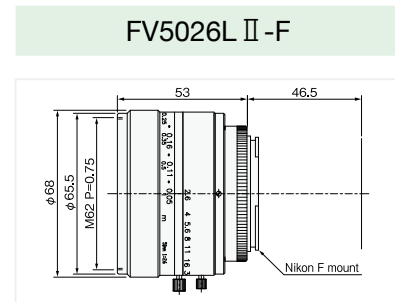
Magnification	35mm
∞ F No.	2.6
Range of WD	0.18m - 0.4m
Magnification at MOD	0.2x
Optical distortion	-0.42%
Maximum Compatible CCD	φ 36mm
Mount	F



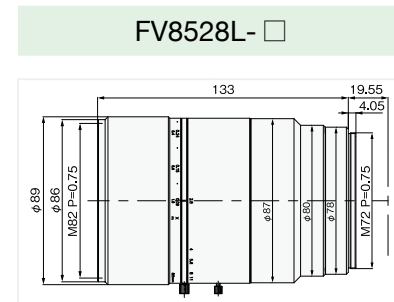
Magnification	50mm
∞ F No.	2.6
Range of WD	0.25m - 0.4m
Magnification at MOD	0.22x
Optical distortion	-0.01%
Maximum Compatible CCD	1.2 inch (φ 21.4mm)
Mount	C



Magnification	50mm
∞ F No.	2.6
Range of WD	0.25 - 0.4m
Magnification at MOD	0.22x
Optical distortion	-0.24%
Maximum Compatible CCD	φ 45mm
Mount	F



Magnification	50mm
∞ F No.	2.6
Range of WD	0.15m - 0.35mm
Magnification at MOD	0.32x
Optical distortion	-0.80%
Maximum Compatible CCD	φ 45mm
Mount	F



* Drawing is for FV8528L-M (Dalsa P2, FB19.55mm).

Magnification	85mm
∞ F No.	2.8
Range of WD	0.25m - 0.45m
Magnification at MOD	0.4x
Optical distortion	-0.18%
Maximum Compatible CCD	φ 62mm
Mount	F or M72

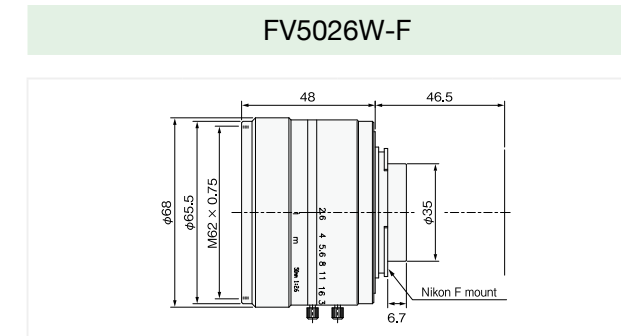
* Indicated specifications are design value. * □ = Mount: F = Nikon F Mount, M = Dalsa P2 (FB19.55mm), H = Dalsa P2-HS and P3 (FB6.56mm), N = NED ClisBee (FB31.8mm)

FV-W Series

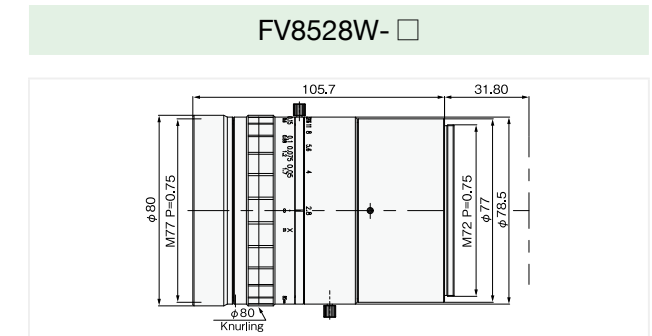
Line Scan Lens for Wide Field of View

Machine vision lens for large field of view

- Adjustable focus and iris
- Design for infinite distance (∞), suitable for wide field of view
- Design for machine vision application
- Suitable for various applications such as printing, large size of PCB and glass, textile, etc..
- FV8528W is compatible with M72 mount
- FV5026W is compatible with TFL-II mount
- Compatible with large image format of high resolution area camera



Focal length	50mm	Optical distortion	0.23%
∞ F No.	2.6	Maximum Compatible CCD	φ 45mm
Range of WD	0.32m - ∞	Mount	F
Magnification at MOD	0.18x		



* Drawing is for FV8528W-N (NED Clis Bee, FB31.8mm).

Focal length	85 mm	Optical distortion	0.04%
∞ F No.	2.8	Maximum Compatible CCD	φ 62mm
Range of WD	0.46m - ∞	Mount	F or M72
Magnification at MOD	0.2x		

* Indicated specifications are design value. * □ = Mount: F = Nikon F Mount, M = Dalsa P2 (FB19.55mm), H = Dalsa P2-HS and P3 (FB6.56mm), N = NED ClisBee (FB31.8mm)