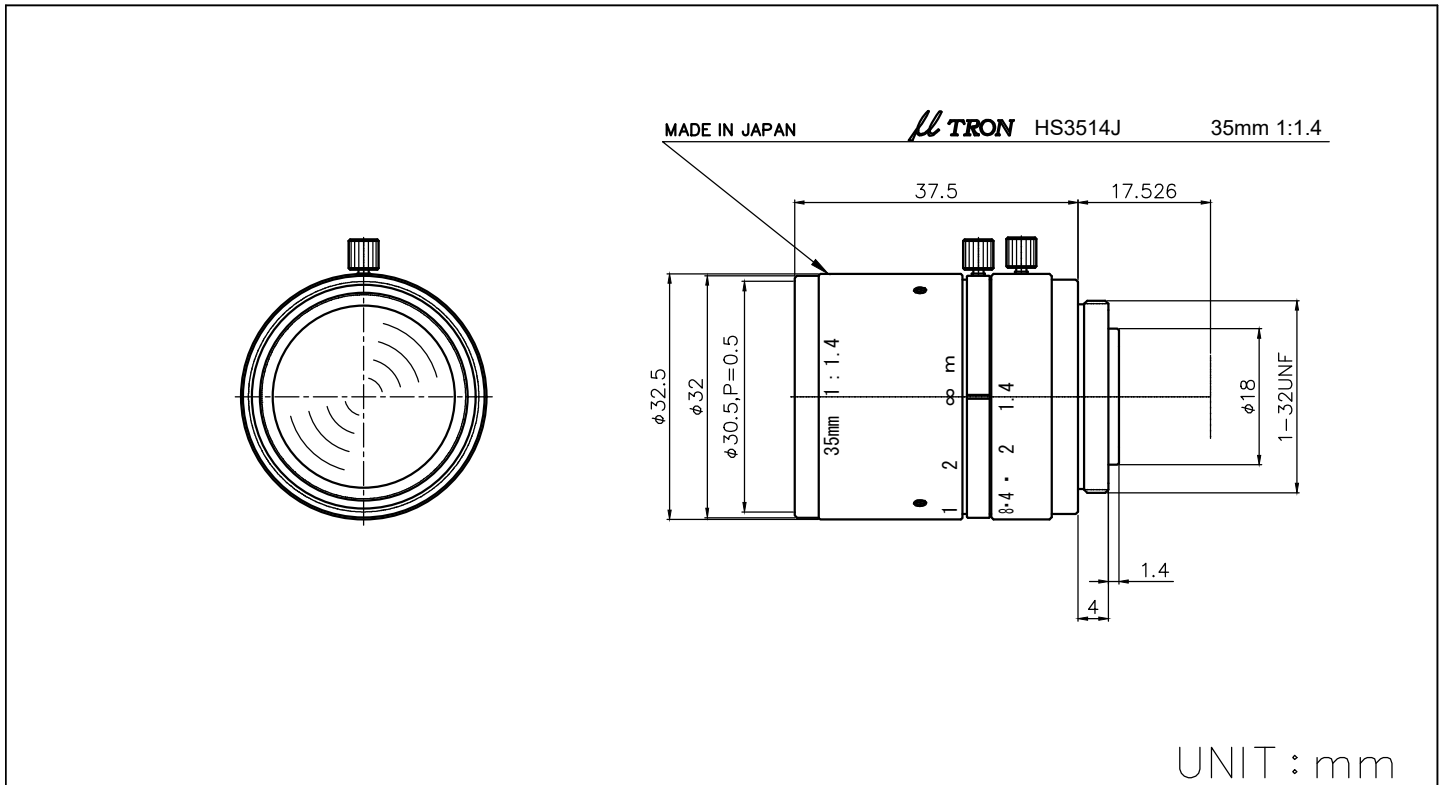


HS3514J

μTRON



Model No.	HS3514J	
Application	3 Mega Pixel Fixed Focal Lens	
Focal Length	35mm	
F No.	1.4	
Angle of View (V×H)	14°×11°	
Image Format	8.8mm×6.6mm ($\phi 11$ mm)	
Minimum Object Distance	0.4m	
Mount	C-Mount	
Flange Back	17.526mm	
Filter Size	$\phi 30.5$ mm P=0.5	
Size	$\phi 32.5$ mm×37.5mm	
Weight	70g	
TV Distortion	1/3	-0.003%
	1/2	-0.01%
	2/3	-0.06%

※Indicated specifications are design values.

MaxxVision®

Sigmaringer Str. 121

70567 Stuttgart

Tel.: 0711 997 996 3

www.maxxvision.com