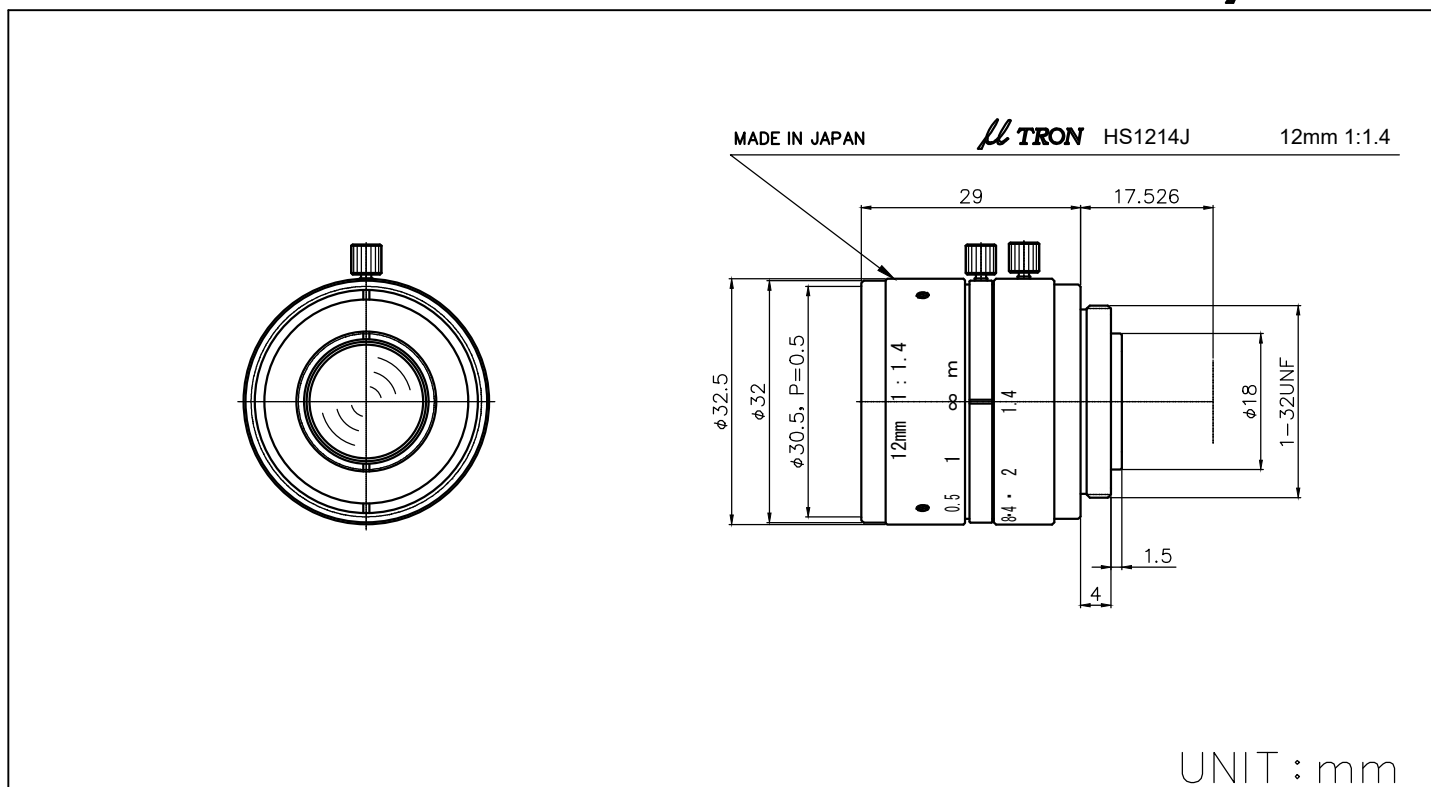


HS1214J

μ·TRON



Model No.	HS1214J	
Application	3 Mega Pixel Fixed Focal Lens	
Focal Length	12mm	
F No.	1.4	
Angle of View (V×H)	39°×30°	
Image Format	8.8mm×6.6mm (φ11mm)	
Minimum Object Distance	0.15m	
Mount	C-Mount	
Flange Back	17.526mm	
Filter Size	φ30.5mm P=0.5	
Size	φ32.5mm×29mm	
Weight	61.5g	
TV Distortion	1/3	-0.08%
	1/2	-0.11%
	2/3	-0.12%

※Indicated specifications are design values.

MaxxVision®

Sigmaringer Str. 121

70567 Stuttgart

Tel.: 0711 997 996 3

www.maxxvision.com