

SA8520M-10MP

4/3" 85mm 10MP FA LENS

FA series Lens are optimized for machine vision light sources and sensors, with high resolution, excellent image uniformity, high transmittance and good stability. Featured with fixed focal length, manual aperture and compact size, it is suitable for machine vision industry applications.



Key Features

- High resolution and excellent image uniformity
- F2.0, Maximum image circle of 4/3"
- Low distortion to improve measurement accuracy
- High peripheral brightness ratio to ensure image brightness consistency

Order Model

SA8520M-10MP

Specification

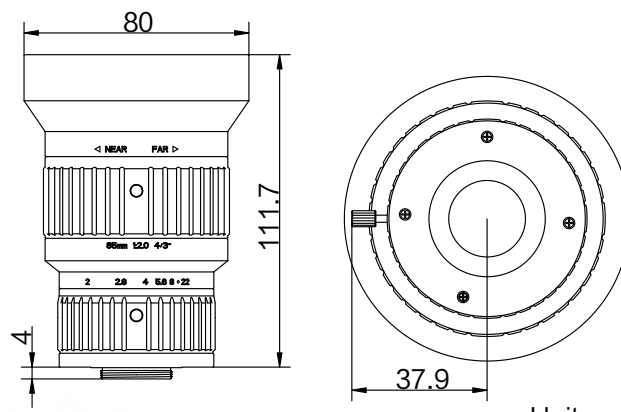
Model		SA8520M-10MP	
Parameter		Fixed focal length, Manual iris, 10MP, FA Lens	
Focal Length		85mm	Mount C-Mount
F-Number		F2.0~F22	Flange Back Length 17.526mm
Image Size		Φ23mm(4/3")	Filter Thread M77×0.75
Optical Distortion		0.04%	Minimum Operation Distance 1.2m
Control	Iris	Manual	Dimension Φ80×111.7mm
	Focus	Manua	
Operating Temperature		-10~50°C	Weight 666g
Angle of View		4/3"	D (22.5mm) 15.4°
			H (18mm) 12.1°
			V (13.5mm) 9.3°



Field of View

Working Distance (mm)	Magnification	Extension (mm)	Field of View (mm)					
			4/3"		1.1"		2/3"	
			(18.13mm×13.6mm)		(14.14mm×10.35mm)		(8.45mm×7.07mm)	
			H	V	H	V	H	V
500	0.175	10	104.24	77.99	81.11	59.28	48.37	40.46
600	0.142	10	128.67	96.28	100.13	73.19	59.72	49.95
700	0.126	5	144.11	107.90	112.20	82.04	66.95	56.01
800	0.109	5	166.90	124.97	129.96	95.03	77.55	64.87
900	0.096	5	189.55	141.95	147.61	107.95	88.10	73.70
1000	0.089	1.5	204.70	153.36	159.47	116.64	95.21	79.65
1050	0.085	1	214.51	160.73	167.13	122.25	99.78	83.48
1100	0.081	1	225.40	168.89	175.61	128.46	104.85	87.72
1150	0.078		233.93	179.31	182.28	133.35	108.85	91.06
1200	0.074		244.67	183.36	190.66	139.48	113.85	95.25
1250	0.071		255.45	191.44	199.06	145.63	118.87	99.45
1300	0.068		266.19	199.50	207.44	151.76	123.88	103.64
1350	0.066		276.93	207.55	215.81	157.89	128.88	107.82
1400	0.063		287.64	215.58	224.16	164.00	133.87	112.00
1450	0.061		298.39	223.64	232.54	170.14	138.88	116.19
1500	0.059		309.09	231.67	240.89	176.25	143.87	120.36
1600	0.055		330.54	247.76	257.61	188.49	153.86	128.73
1700	0.052		351.96	263.83	274.32	200.72	163.85	137.08
1800	0.049		373.37	279.88	291.02	212.94	173.83	145.43
1900	0.046		394.77	295.93	307.70	225.15	183.80	153.77
2000	0.044		416.15	311.98	324.38	237.36	193.77	162.11

Dimension



HIKVISION®

Hangzhou Hikvision Digital Technology Co.,Ltd
 No.700 Dongliu Road,Binjiang District, Hangzhou, 310052, China.
 Tel:+86-400-800-5998
 en.hikrobotics.com

Unit:mm

MaxxVision®

Sigmaringer Str. 121
 70567 Stuttgart
 Tel.: 0711 997 996 3
 www.maxxvision.com