

## SA3520M-10MP

### 4/3" 35mm 10MP FA LENS

FA series Lens are optimized for machine vision light sources and sensors, with high resolution, excellent image uniformity, high transmittance and good stability. Featured with fixed focal length, manual aperture and compact size, it is suitable for machine vision industry applications.



### Key Features

- High resolution and excellent image uniformity
- F2.0, Maximum image circle of 4/3"
- Low distortion to improve measurement accuracy
- High peripheral brightness ratio to ensure image brightness consistency

### Order Model

SA3520M-10MP

### Specification

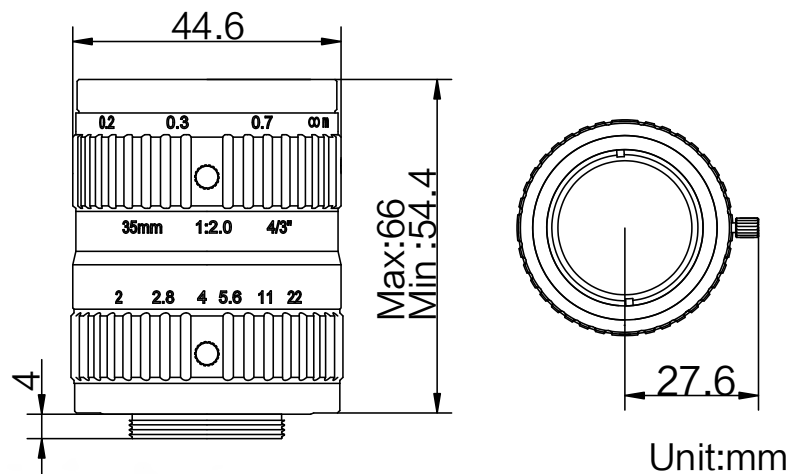
Model		SA3520M-10MP	
Parameter		Fixed focal length, Manual iris, 10MP, FA Lens	
Focal Length		35mm	Mount C-Mount
F-Number		F2.0~F22	Flange Back Length 17.526mm
Image Size		Φ23mm(4/3")	Filter Thread M40.5×0.5
Optical Distortion		-0.56%	Minimum Operation Distance 0.2m
Control	Iris	Manual	Dimension Φ44.6×54.4mm
	Focus	Manual	
Operating Temperature		-10~50°C	Weight 171g
Angle of View		4/3"	D (22.5mm) 36.6°
			H (18mm) 29.6°
			V (13.5mm) 22.4°



## Field of View

Working Distance (mm)	Magnification	Extension (mm)	Field of View (mm)					
			4/3"		1.1"		2/3"	
			(18.13mm×13.6mm)		(14.14mm×10.35mm)		(8.45mm×7.07mm)	
			H	V	H	V	H	V
100	0.360	10	50.72	38.00	39.51	28.89	23.58	19.72
150	0.240	5	75.96	56.90	59.17	43.26	35.30	29.52
200	0.183		99.50	74.52	76.96	56.64	46.22	38.65
250	0.145		135.57	94.22	97.79	71.48	58.32	48.77
300	0.120		151.64	113.55	118.09	86.31	70.42	58.89
350	0.103		177.70	133.07	138.38	101.14	82.51	69.01
400	0.090		203.77	152.58	158.67	115.97	94.61	79.13
450	0.079		229.83	172.09	178.97	130.79	106.71	89.24
500	0.071		255.89	191.60	199.26	145.62	118.81	99.36
550	0.065		281.95	211.12	219.55	160.45	130.91	109.48
600	0.059		308.00	230.63	239.84	175.28	143.01	119.60
650	0.055		334.06	250.14	260.13	190.11	155.11	129.72
700	0.051		360.12	269.65	280.42	204.94	167.21	139.84
750	0.047		386.18	289.16	300.71	219.77	179.31	149.96
800	0.044		412.23	308.68	321.01	234.60	191.41	160.08
850	0.042		438.29	328.19	341.30	249.43	203.51	170.20
900	0.039		464.35	347.70	361.59	264.26	215.61	180.32
950	0.037		490.40	367.21	381.88	279.09	227.71	190.43
1000	0.035		516.46	386.72	402.17	293.93	239.81	200.55

## Dimension



**HIKVISION®**

Hangzhou Hikvision Digital Technology Co.,Ltd  
 No.700 Dongliu Road,Binjiang District, Hangzhou, 310052, China.  
 Tel:+86-400-800-5998  
 en.hikrobotics.com

**MaxxVision®**

Sigmaringer Str. 121  
 70567 Stuttgart  
 Tel.: 0711 997 996 3  
 www.maxxvision.com