

SA1620M-10MP

4/3" 16mm 10MP FA LENS

FA series Lens are optimized for machine vision light sources and sensors, with high resolution, excellent image uniformity, high transmittance and good stability. Featured with fixed focal length, manual aperture and compact size, it is suitable for machine vision industry applications.



Key Features

- High resolution and excellent image uniformity
- F2.0, Maximum image circle of 4/3"
- Low distortion to improve measurement accuracy
- High peripheral brightness ratio to ensure image brightness consistency

Order Model

SA1620M-10MP

Specification

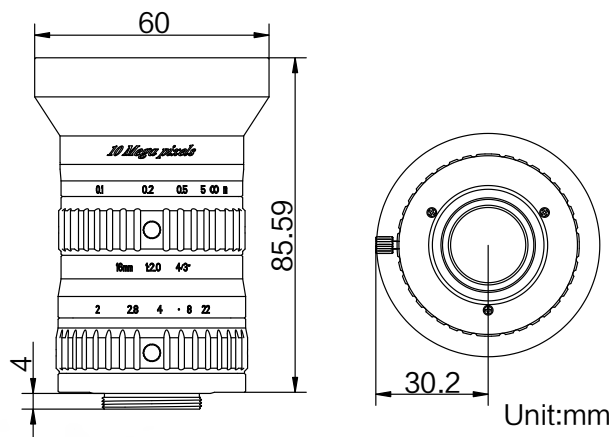
Model		SA1620M-10MP	
Parameter		Fixed focal length, Manual iris, 10MP, FA Lens	
Focal Length		16mm	Mount C-Mount
F-Number		F2.0~F22	Flange Back Length 17.526mm
Image Size		Φ23mm(4/3")	Filter Thread M58×0.75
Optical Distortion		-2.81%	Minimum Operation Distance 0.1m
Control	Iris	Manual	Dimension Φ60×85.59mm
	Focus	Manual	
Operating Temperature		-10~50°C	Weight 340g
Angle of View		4/3"	
		D (22.5mm)	72.9°
		H (18mm)	60.9°
		V (13.5mm)	47.3°



Field of View

Working Distance (mm)	Magnification	Extension (mm)	Field of View (mm)					
			4/3" (18.13mm×13.6mm)		1.1" (14.14mm×10.35mm)		2/3" (8.45mm×7.07mm)	
			H	V	H	V	H	V
50	0.216	1	88.25	64.87	67.59	48.81	39.64	33.06
75	0.161	0.5	117.68	86.71	90.33	65.32	47.07	44.27
100	0.128		147.23	108.66	113.17	81.90	66.56	55.53
150	0.092		205.40	151.92	158.20	114.63	93.19	77.77
200	0.071		263.46	195.12	203.17	147.31	119.80	99.99
250	0.058		321.48	238.30	248.10	179.98	146.39	122.19
300	0.049		379.46	281.45	293.01	212.64	172.97	144.39
350	0.043		437.43	324.60	337.91	245.29	199.55	166.59
400	0.038		495.39	367.74	382.81	277.93	226.12	188.78
450	0.034		553.34	410.88	427.70	310.57	252.69	210.97
500	0.031		611.28	454.01	472.59	343.21	279.26	233.16
550	0.028		669.23	497.14	517.48	379.85	305.83	255.34
600	0.026		727.17	540.27	562.36	408.49	332.40	277.53
650	0.024		785.10	583.40	607.25	441.13	358.96	299.72
700	0.022		843.04	626.52	652.13	473.62	385.53	321.90
750	0.021		900.97	669.65	697.01	506.40	412.10	344.09
800	0.020		958.90	712.77	741.89	539.03	438.66	366.28
850	0.018		1016.83	755.90	786.57	571.67	465.23	388.46
900	0.017		1074.76	799.02	831.65	604.30	491.79	410.65
1000	0.016		1190.62	885.27	921.41	669.57	544.92	455.02

Dimension



HIKVISION®

Hangzhou Hikvision Digital Technology Co.,Ltd
 No.700 Dongliu Road,Binjiang District, Hangzhou, 310052, China.
 Tel:+86-400-800-5998
 en.hikrobotics.com

MaxxVision®

Sigmaringer Str. 121
 70567 Stuttgart

Tel.: 0711 997 996 3

www.maxxvision.com