

MVL-HF3524M-10MP

1/1.8" 35mm 10MP FA LENS

FA series Lens are optimized for machine vision light sources and sensor, with high resolution, excellent image quality, high transmittance and good stability. Featured with fixed focal length, manual aperture and compact size, it is suitable for machine vision industry applications and ideal for industrial cameras.



Key Features

- Ultra high resolution and consistency of image clarity
- Bigger aperture, lower distortion and higher relative illumination rate
- Achromatic optical system design, Better imaging performance with color camera
- Excellent vibration resistance performance, optical axis shifting within pixel level
- Good stability at high and low temperature
- Multilayer and broadband coating design, compatible with visible and near-infrared applications

Order Model

MVL-HF3524M-10MP

Specification

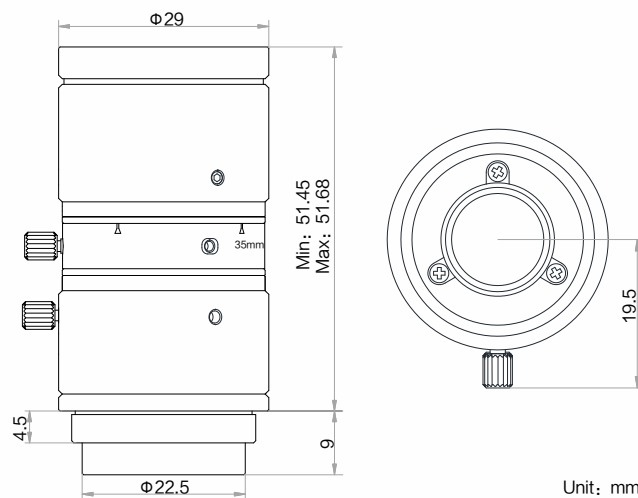
Parameter		Model		
		MVL-HF3524M-10MP		
		Fixed focal length, Manual iris, 10MP, FA Lens		
Focal Length		35mm	Mount	C-Mount
F-Number		F2.4~F16	Flange Back Length	17.526mm
Image Size		Φ9mm(1/1.8")	Filter Thread	M27×0.5
Distortion		0.01%	Minimum Operation Distance	0.15m
Control	Iris	Manual	Dimension	Φ29×51.45mm
	Focus	Manual		
Operating Temperature		-10~50°C	Weight	85.1g
Angle of View		1/1.8"	D (8.96mm)	13.47°
			H (7.37mm)	11.03°
			V (4.92mm)	7.34°



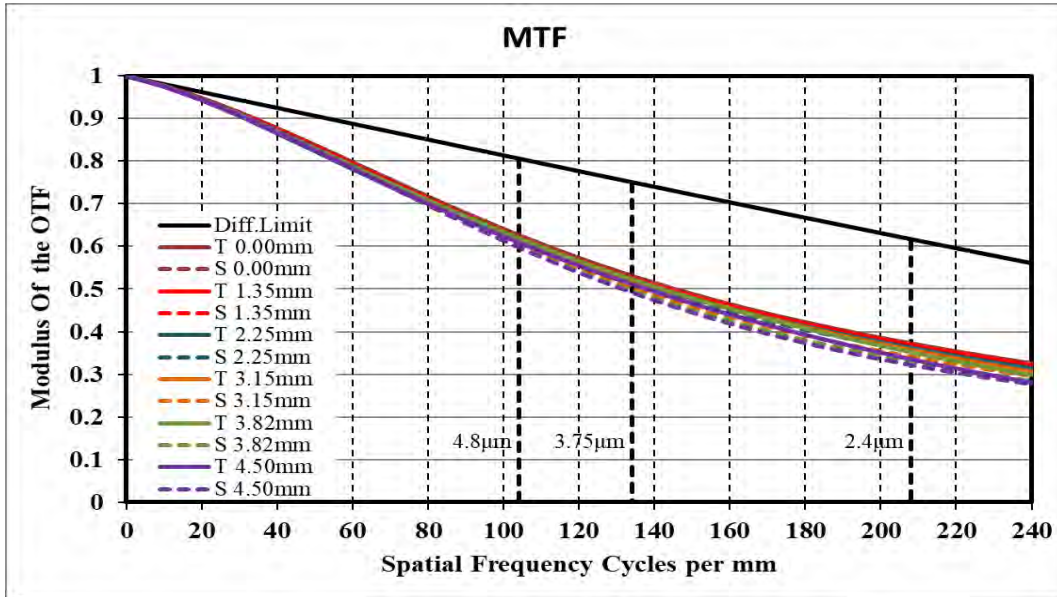
Field of View

Extension (mm)	Working Distance (mm)		Magnification	Field of View (mm)			
				1/1.8'' (7.38mm×4.92mm)		1/2'' (6.22mm×4.67mm)	
				H	V	H	V
0	150		-0.279	26.51	17.67	22.34	16.77
	200		-0.199	37.07	24.71	31.24	23.45
	250		-0.155	47.62	31.74	40.13	30.12
	300		-0.127	58.16	38.77	49.02	36.80
	350		-0.107	68.71	45.81	57.91	43.48
	400		-0.093	79.26	52.83	66.80	50.15
	450		-0.082	89.81	59.87	75.69	56.83
	500		-0.074	100.35	66.90	84.58	63.50
	550		-0.067	110.87	73.92	93.45	70.16
	600		-0.060	121.44	80.96	102.35	76.85
	650		-0.056	131.98	88.00	111.24	83.53
	700		-0.052	142.52	88.00	120.12	83.53
	800		-0.045	163.58	109.07	137.87	103.52
	900		-0.040	184.70	123.15	155.68	116.90
1000		-0.036	184.70	123.15	173.46	116.90	
1	near	138.2	-0.308	24.02	16.01	20.25	15.20
	far	1200	-0.030	248.04	165.40	209.08	157.00
2	near	128.5	-0.336	21.97	14.65	18.52	13.90
	far	625	-0.058	126.70	84.48	106.79	80.19
5	near	107.4	-0.422	17.50	11.67	14.75	11.07
	far	266	-0.145	51.00	34.00	42.98	32.27
10	near	86.5	-0.565	13.08	8.72	11.02	8.27
	far	146	-0.288	25.65	17.10	21.62	16.23

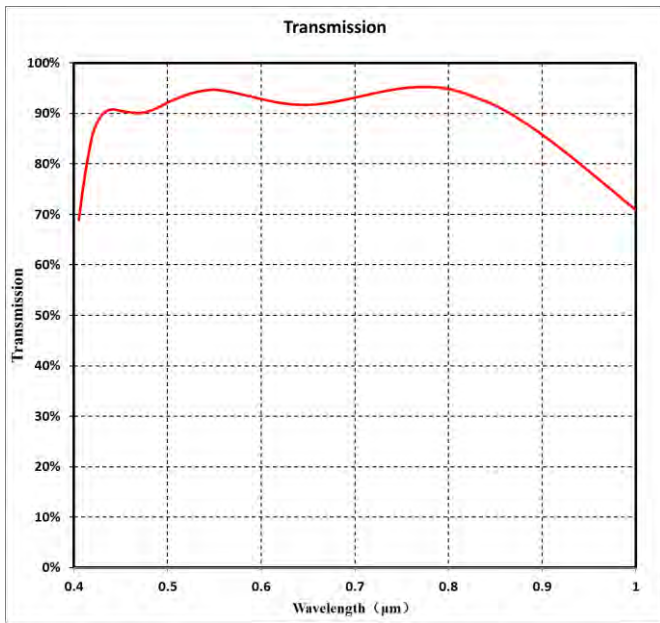
Dimension



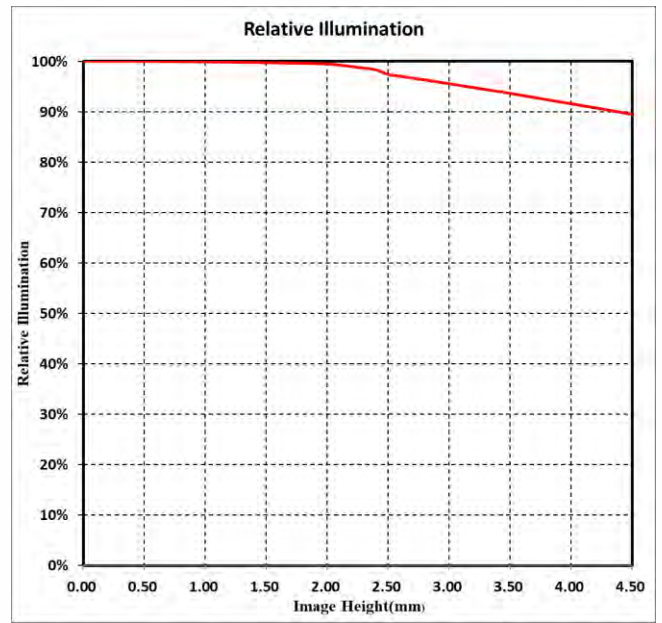
MTF



Transmission



Relative Illumination



Note: The above curves are the simulate results based on F2.4, $\beta=-0.074$, WD=500 mm.

HIKROBOT

Hangzhou Hikrobot Technology Co., Ltd.
No.399 Danfeng Road, Binjiang District, Hangzhou 310051, China.
en.hikrobotics.com

Copyright Hikrobot

Hangzhou Hikrobot Technology Co., Ltd. All Rights Reserved. Hangzhou Hikrobot Technology does not tolerate any infringement. Any organization or individual may not imitate or reproduce in whole or in part of the content. The data herein is based on Hikrobot's internal evaluation. Actual data may vary depending on specific configuration and operating condition. The information herein is subject to change without notice. All the content has been checked conscientiously. Nevertheless, Hikrobot shall not be liable to damages resulting from errors, inconsistencies or omissions.