

MVL-HF1628M-6MPE
1/1.8" 16mm 6MP FA LENS

FA series Lens are optimized for machine vision light sources and sensor, with high resolution, excellent image quality, high transmittance and good stability. Featured with fixed focal length, manual aperture and compact size, it is suitable for machine vision industry applications and ideal for industrial cameras.



Key Features

- Higher image clarity and contrast ratio
- Ultra-low distortion and higher relative illumination rate
- Good optical performance at ultra-short working distance
- Compact design, convenient for device integration

Order Model

MVL-HF1628M-6MPE

Specification

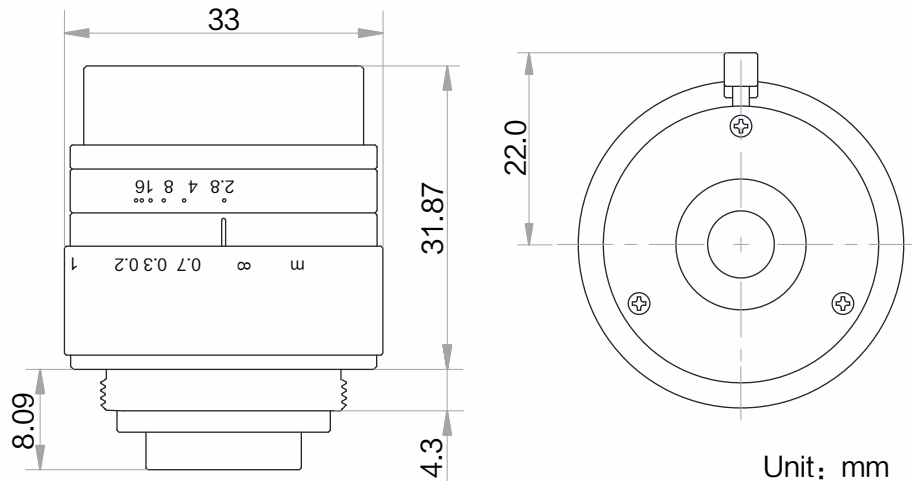
| Model | | MVL-HF1628M-6MPE | |
|-----------------------|-------|-----------------------------------------------|----------------------------------|
| Parameter | | Fixed focal length, Manual iris, 6MP, FA Lens | |
| Focal Length | | 16mm | Mount: C-Mount |
| F-Number | | F2.8~F16 | Flange Back Length: 17.526mm |
| Image Size | | Φ9mm(1/1.8") | Filter Thread: M27×P0.5 |
| Distortion | | -0.14% | Minimum Operation Distance: 0.1m |
| Control | Iris | Manual | Dimension: Φ33×31.9mm |
| | Focus | Manual | |
| Operating Temperature | | -10~50°C | Weight: 56.1g |
| Angle of View | | 1/1.8" | D (8.96mm): 30.9° |
| | | | H (7.37mm): 25.6° |
| | | | V (4.92mm): 17.3° |



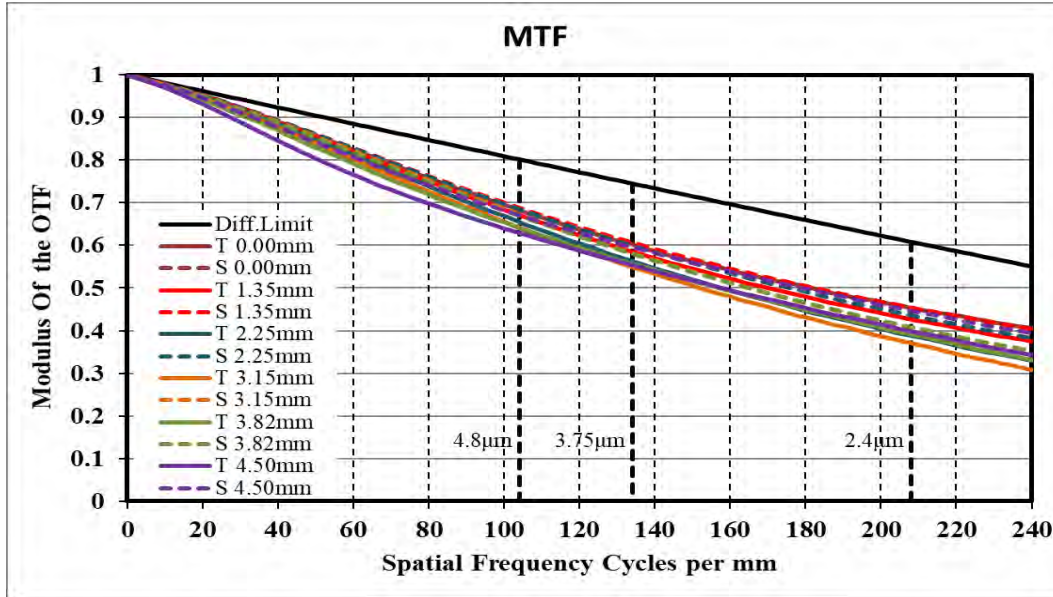
Field of View

| Extension (mm) | Working Distance (mm) | | Magnification | Field of View (mm) | | | |
|----------------|-----------------------|-----|---------------|--------------------|--------|-------------------|--------|
| | | | | 1/1.8" | | 1/2" | |
| | | | | (7.38mm × 4.92mm) | | (6.22mm × 4.67mm) | |
| | | | H | V | H | V | |
| 0 | 100 | | -0.144 | 51.38 | 34.17 | 43.25 | 32.43 |
| | 150 | | -0.099 | 74.67 | 49.69 | 62.88 | 47.16 |
| | 200 | | -0.076 | 97.70 | 65.06 | 82.30 | 61.75 |
| | 250 | | -0.061 | 120.63 | 80.35 | 101.63 | 76.26 |
| | 300 | | -0.052 | 143.49 | 95.61 | 120.92 | 90.75 |
| | 350 | | -0.044 | 166.32 | 110.85 | 140.17 | 105.20 |
| | 400 | | -0.039 | 189.12 | 126.07 | 159.40 | 119.65 |
| | 450 | | -0.035 | 211.91 | 141.27 | 178.62 | 134.09 |
| | 500 | | -0.032 | 234.69 | 156.48 | 197.83 | 148.52 |
| | 550 | | -0.029 | 257.46 | 171.67 | 217.04 | 162.95 |
| | 600 | | -0.026 | 280.22 | 186.87 | 236.23 | 177.37 |
| | 650 | | -0.024 | 302.98 | 202.05 | 255.43 | 191.79 |
| | 700 | | -0.023 | 325.73 | 217.24 | 274.62 | 206.20 |
| | 800 | | -0.020 | 371.23 | 247.61 | 312.99 | 235.03 |
| | 900 | | -0.018 | 416.72 | 277.97 | 351.36 | 263.85 |
| | 1000 | | -0.016 | 462.20 | 308.33 | 389.72 | 292.66 |
| 1 | near | 67 | -0.211 | 35.26 | 23.43 | 29.67 | 22.23 |
| | far | 252 | -0.062 | 118.60 | 79.04 | 99.95 | 75.02 |
| 2 | near | 50 | -0.277 | 26.84 | 17.83 | 22.58 | 16.92 |
| | far | 122 | -0.124 | 59.56 | 39.64 | 50.16 | 37.62 |
| 5 | near | 27 | -0.476 | 15.67 | 10.40 | 13.17 | 9.87 |
| | far | 44 | -0.310 | 24.02 | 15.94 | 20.20 | 15.13 |

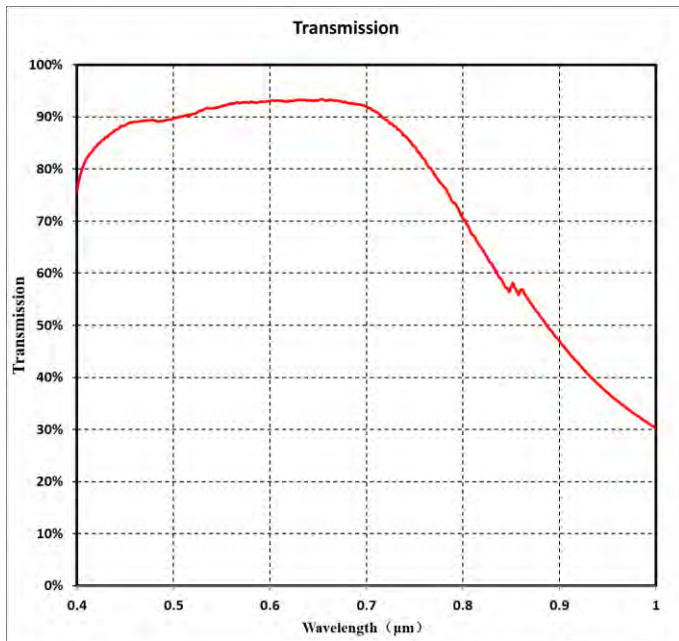
Dimension



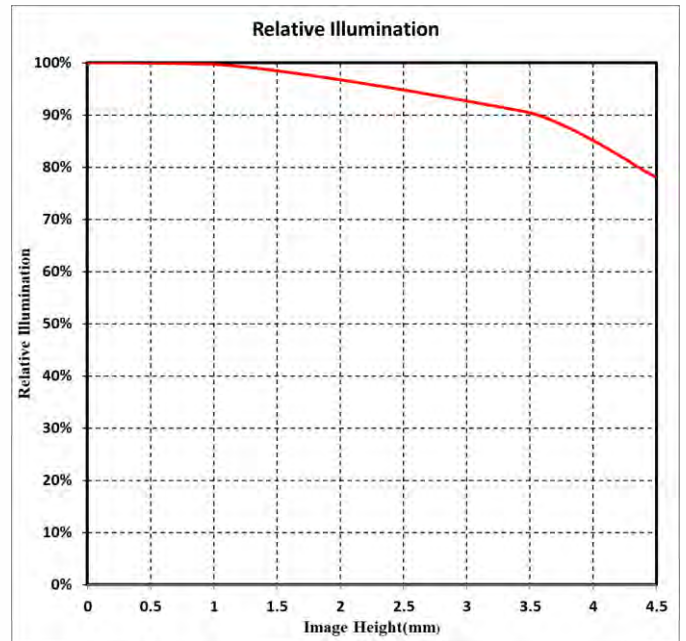
MTF



Transmission



Relative Illumination



Note: The above curves are the simulate results based on F2.8, $\beta=-0.0515$, WD=300 mm.

MaxxVision®
 Sigmaringer Str. 121
 70567 Stuttgart
 Tel.: 0711 997 996 3
www.maxxvision.com

HIKROBOT

Hangzhou Hikrobot Technology Co., Ltd.
 No.399 Danfeng Road, Binjiang District, Hangzhou 310051, China.
en.hikrobotics.com

Copyright Hikrobot

Hangzhou Hikrobot Technology Co., Ltd. All Rights Reserved. Hangzhou Hikrobot Technology does not tolerate any infringement. Any organization or individual may not imitate or reproduce in whole or in part of the content. The data herein is based on Hikrobot's internal evaluation. Actual data may vary depending on specific configuration and operating condition. The information herein is subject to change without notice All the content has been checked conscientiously. Nevertheless, Hikrobot shall not be liable to damages resulting from errors, inconsistencies or omissions.