

**MVL-MF2518M-5MPE**  
**2/3" 25mm 5MP FA LENS**

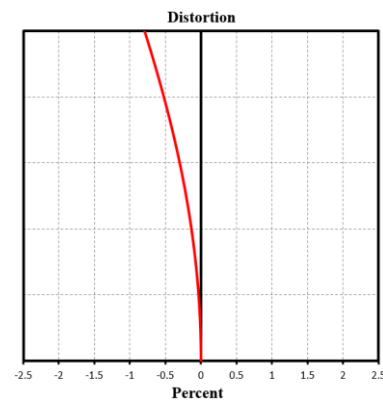
MF-E series FA Lens are optimized for machine vision light sources and sensors, with high resolution, excellent image uniformity, high transmittance and good stability. Featured with fixed focal length, manual aperture and compact size, it is suitable for machine vision industry applications.



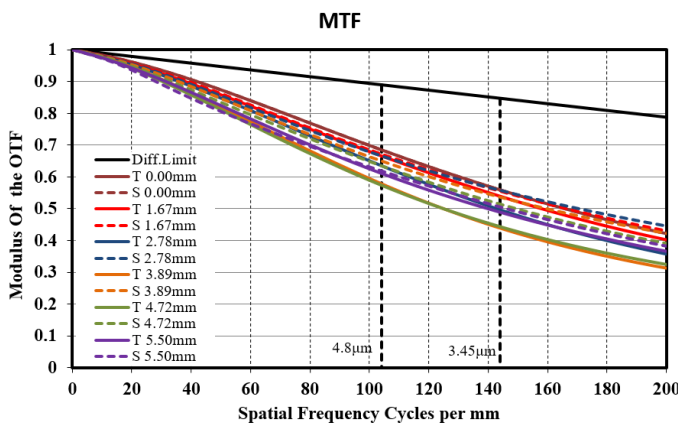
**Key Features**

- High resolution and consistency of image clarity
- Lower distortion and higher relative illumination rate
- Achromatic optical system design, Better imaging performance with color camera
- Excellent performance at high and low temperature
- Good optical performance at ultra-short working distance

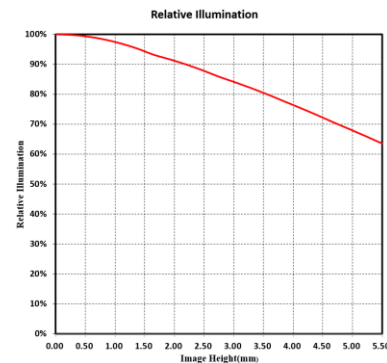
**Distortion**



**MTF**



**Relative Illumination**



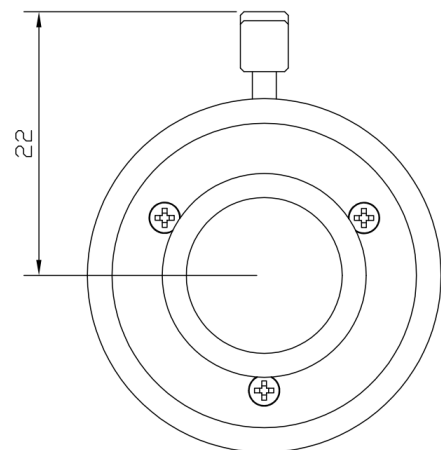
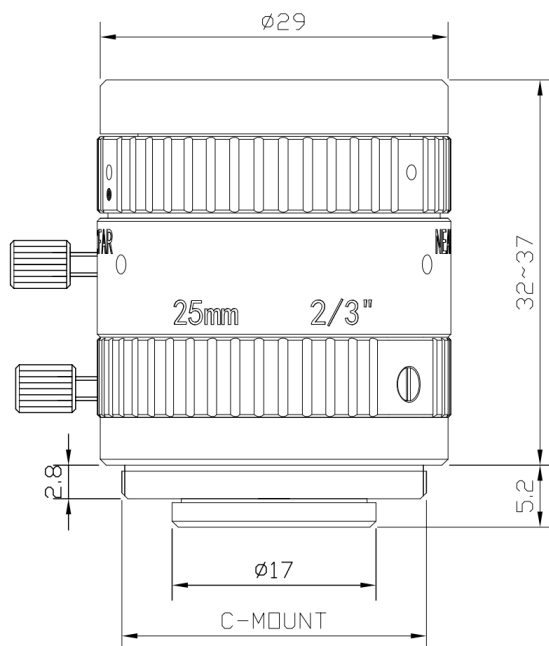
Note: The above curves are the simulate results based on F2.4,  $\beta=-0.025$ , WD=300 mm



## Specification

Model	MVL-MF2518M-5MPE
Parameter	Fixed focal length, Manual iris, 5MP, FA Lens
<b>Performance</b>	
Focal Length	25 mm
F-Number	F1.8 ~ F16
Image Size	Φ11 mm (2/3")
Distortion	0.77%
Minimum Operation Distance	0.2 m
Field of View	D (11.1 mm): 24.26° H (8.45 mm): 18.78° V (7.07 mm): 15.63°
<b>Mechanical</b>	
Iris Control	Manual
Focus Control	Manual
Filter Thread	M27 × 0.5
Mount	C-Mount
Flange Back Length	17.526 mm
Dimension	Φ29 × 32~37 mm
Weight	54.0 g
Temperature	-10 ~ 50°C
<b>General</b>	
Certification	RoHS2.0

## Dimension



Unit: mm

## Field of View

Extension (mm)	Working Distance (mm)		Magnification	Field of View(mm)					
				2/3"		1/1.8"		1/2"	
				H(8.45mm)	V(7.07mm)	H(7.38mm)	V(4.92mm)	H(6.22mm)	V(4.67mm)
30	near	23.9	-1.320	5.8	4.8	5.1	3.4	4.3	3.2
	far	24.4	-1.260	5.9	4.9	5.1	3.4	4.3	3.2
25	near	27.6	-1.180	6.3	5.3	5.5	3.7	4.7	3.5
	far	28.6	-1.040	6.5	5.4	5.7	3.8	4.8	3.6
20	near	32.9	-0.910	7.1	6.0	6.2	4.1	5.2	3.9
	far	34.9	-0.820	7.4	6.2	6.5	4.3	5.4	4.1
15	near	40.9	-0.710	8.3	6.9	7.3	4.8	6.1	4.6
	far	45.3	-0.610	8.9	7.5	7.8	5.2	6.6	4.9
10	near	55.0	-0.510	10.4	8.7	9.1	6.0	7.6	5.7
	far	66.4	-0.400	12.1	10.1	10.5	7.0	8.9	6.6
5	near	86.1	-0.320	15.0	12.5	13.1	8.7	11.0	8.3
	far	131.0	-0.190	21.6	18.1	18.9	12.6	15.9	11.9
2	near	133.0	-0.200	22.0	18.4	19.2	12.8	16.1	12.1
	far	344.0	-0.070	53.1	44.4	46.4	30.9	39.1	29.3
1	near	164.0	-0.160	26.5	22.2	23.1	15.4	19.5	14.6
	far	780.0	-0.030	117.6	98.4	102.7	68.4	86.5	64.9
0		200	-0.125	66.1	54.8	57.0	38.4	51.2	35.7
		250	-0.100	82.7	68.6	71.2	48.1	64.0	44.6
		300	-0.083	99.2	82.3	85.4	57.7	76.8	53.6
		350	-0.071	115.8	96.0	99.7	67.3	89.6	62.5
		400	-0.063	132.3	109.8	113.9	76.8	102.4	71.4
		450	-0.056	148.9	123.5	128.2	86.5	115.2	80.3
		500	-0.050	165.4	137.3	142.4	96.1	128.0	89.3
		550	-0.045	181.9	151.0	156.6	105.7	140.8	98.2
		600	-0.042	198.5	164.7	170.9	115.4	153.6	107.1
		650	-0.038	215.0	178.4	185.1	124.9	166.4	116.1
		700	-0.036	231.6	192.1	199.4	134.5	179.2	125.0
		800	-0.031	264.7	219.6	227.8	153.8	204.8	142.8
		900	-0.028	297.7	247.1	256.3	172.9	230.4	160.7
	1000	-0.025	330.8	274.5	284.8	192.2	256.0	178.6	

**HIKROBOT**

Hangzhou Hikrobot Co. Ltd.  
en.hikrobotics.com

**MaxxVision®**

Sigmaringer Str. 121  
70567 Stuttgart  
Tel.: 0711 997 996 3  
www.maxxvision.com

© Hangzhou Hikrobot Co., Ltd. All Rights Reserved.

Hangzhou Hikrobot does not tolerate any infringement. Any organization or individual may not imitate or reproduce in whole or in part of the content. The data herein is based on Hikrobot's internal evaluation. Actual data may vary depending on specific configuration and operating condition. The information herein is subject to change without notice. All the content has been checked conscientiously. Nevertheless, Hikrobot shall not be liable to damages resulting from errors, inconsistencies or omissions.