

MVL-LF6040M-0167V-M72
Φ64mm 60mm Focal Length FA LENS

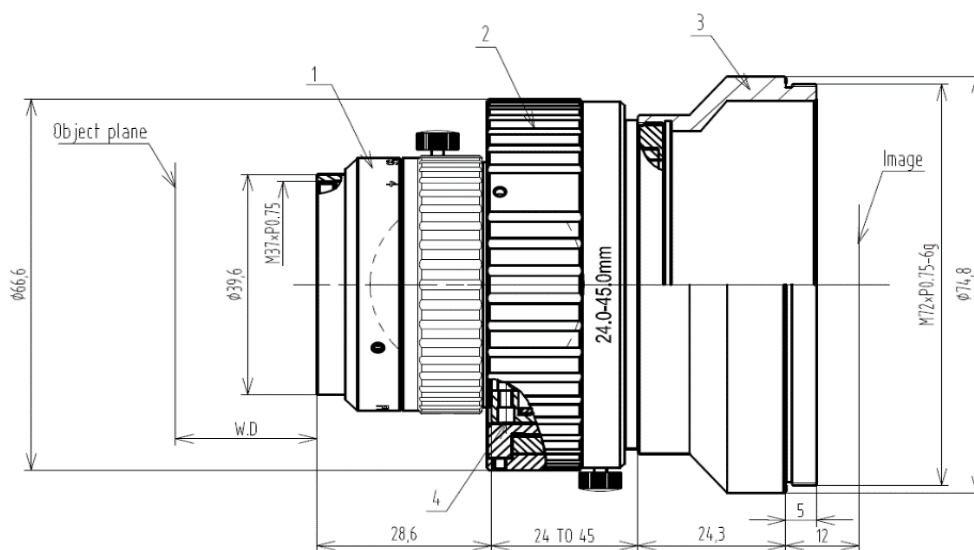
Designed for the machine vision industry, the high-resolution large-target fixed focus lens has excellent imaging quality and high picture consistency, which can meet the needs of high resolution machine vision industry applications.



Key Features

- High precision lens for 8K7U line array cameras
- Excellent picture sharpness consistency, large aperture, low distortion
- Superior resolution at maximum aperture of F4
- Maximum image size Φ64mm

Dimension



Unit: mm



Specification

Parameter	Model	MVL-LF6040M-0167V-M72
		Fixed focal length, Manual iris, FA large-target lens
Performance		
Focal Length		60 mm
F-Number		F4 ~ F22
Image Size		Φ64 mm
Optical Distortion		0.19%
Magnification Range		0.33x ~ 0.167x ~ 0.117x
Working Distance Range		219 ~ 404 ~ 558 ±5 mm
Conjugate Distance Range		321 ~ 496 ~ 647 ±9 mm
Mechanical		
Iris Control		Manual
Focus Control		Manual
Filter Thread		M37 × P0.75
Mount		M72
Flange Back Length		12 mm
Dimension		Φ74.8 × 97.9 mm
Temperature		-10 ~ 50°C
General		
Certification		RoHS2.0

HIKROBOT

Hangzhou Hikrobot Co. Ltd.
en.hikrobotics.com

MaxxVision®
Sigmaringer Str. 121
70567 Stuttgart
Tel.: 0711 997 996 3
www.maxxvision.com

© Hangzhou Hikrobot Co., Ltd. All Rights Reserved.

Hangzhou Hikrobot does not tolerate any infringement. Any organization or individual may not imitate or reproduce in whole or in part of the content. The data herein is based on Hikrobot's internal evaluation. Actual data may vary depending on specific configuration and operating condition. The information herein is subject to change without notice. All the content has been checked conscientiously. Nevertheless, Hikrobot shall not be liable to damages resulting from errors, inconsistencies or omissions.