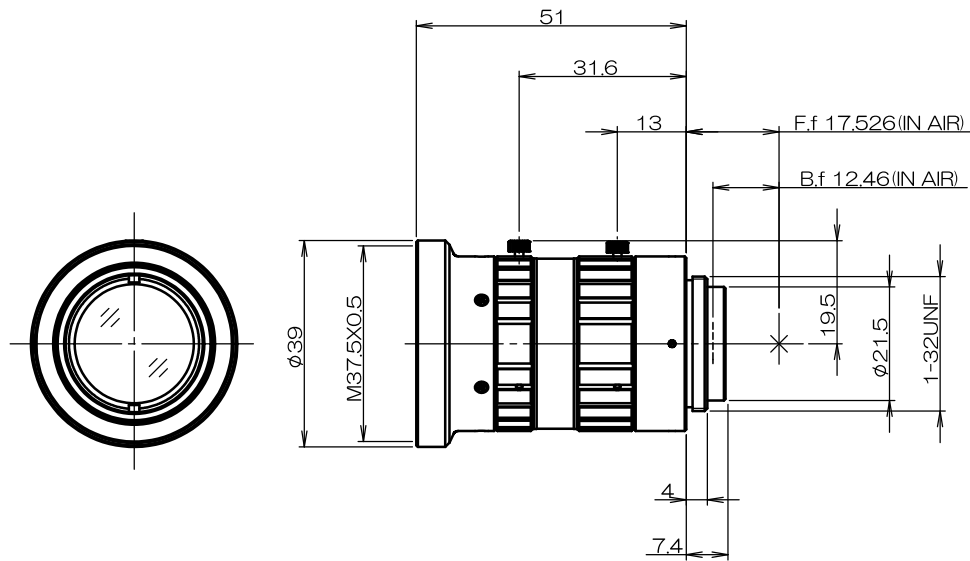


HF6XA-5M



Ver1.0

型番	Product Name	HF6XA-5M
焦点距離[mm]	Focal length [mm]	6 (6.23)
絞り範囲(F no)	Iris range (F. no)	F1.9-F16
画角 (H x V)	Angle of view	74.7°x58.1° (2/3")
フォーカス範囲 (レンズメカ先端より) [mm]	Working distance (from front of lens barrel) [mm]	∞ -100
操作方法:フォーカス	Operation of focus	Manual
操作方法:アイリス	Operation of iris	Manual
フィルタ径 [mm]	Filter thread [mm]	M37.5 x 0.5
マウント	Mount	C-mount
質量(約) [g]	Weight (approx.) [g]	100
適合センサーサイズ(最大)	Sensor size (max.)	2/3"
バックフォーカス (空気換算長) [mm]	Back focal distance (in air) [mm]	12.46
フランジバック [mm]	Flange back [mm]	17.526
射出瞳位置 (結像面より) [mm]	Exit pupil position (from image plane) [mm]	-46.78
前側主点 (マウント面から)	Front principle point (from Mount)	-30.92
後側主点 (マウント面から)	Rear principle point (from Mount)	11.30
二点間の距離 (主点間隔)	Distance between the pincipal points	42.22
TVディストーション [%]	TV distortion [%]	-2.88
外径寸法 [mm]	Dimension [mm]	$\phi 39 \times 51$
周辺光量(開放・隅)	Relative illumination (Apeture: at full open, Image heigh: at diaqonal)	42
使用温度範囲	Operation Temperature	-10°C~50°C

These specifications are subject to change without notice.

01-Apr-17