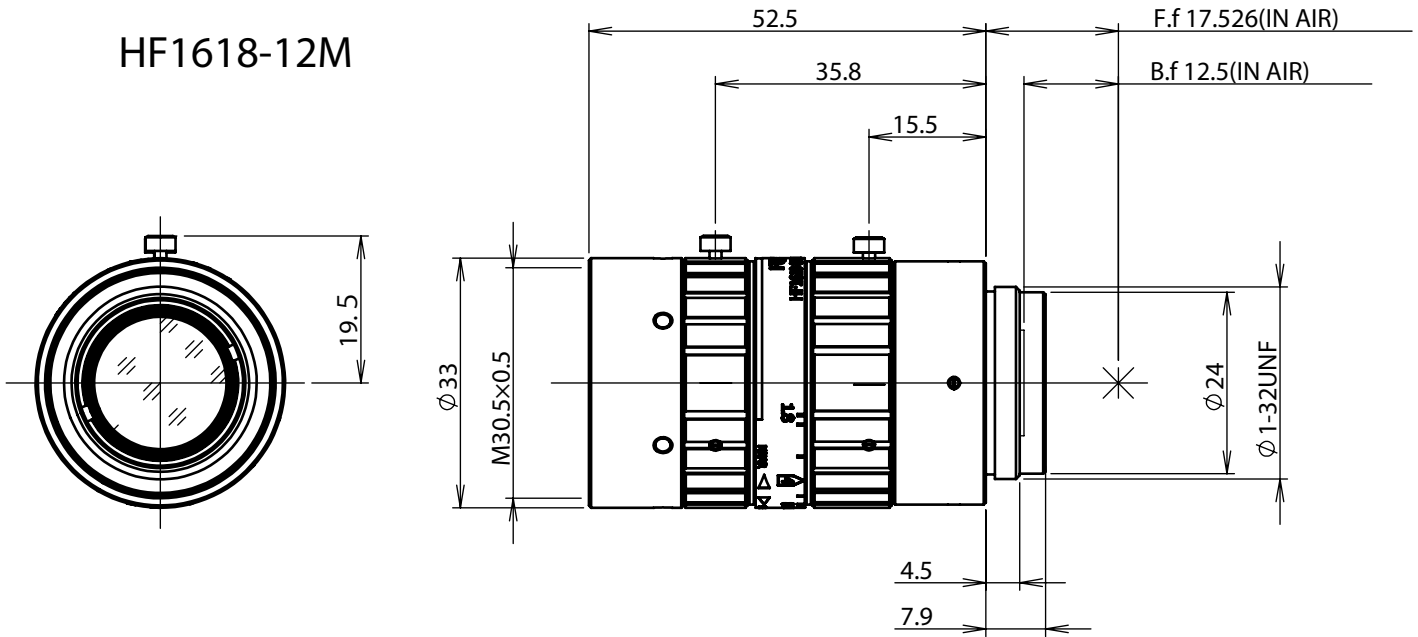


HF1618-12M



ver3.0E

型番	Product Name	HF1618-12M
焦点距離[mm]	Focal length [mm]	16 (15.87)
絞り範囲(F no)	Iris range (F. no)	F1.8-F22
画角 (H x V)	Angle of view	30.8°×23.3° (2/3")
フォーカス範囲 (レンズメカ先端より) [mm]	WD (Working Distance:from front of lens barrel) [mm]	∞-100
操作方法:フォーカス	Operation of focus	Manual
操作方法:アイリス	Operation of iris	Manual
フィルタ径 [mm]	Filter thread [mm]	M30.5 x 0.5
マウント	Mount	C-mount
質量(約) [g]	Weight (approx.) [g]	90
適合センサーサイズ(最大)	Sensor size (max.)	1/1.2"
バックフォーカス (空気換算長) [mm]	Back focal distance (in air) [mm]	12.504
フランジバック [mm]	Flange back [mm]	17.526
射出瞳位置 (結像面より) [mm]	Exit pupil position (from image plane) [mm]	-55.938
前側主点 (マウント面から)	Front principle point (from Mount)	-17.68
後側主点 (マウント面から)	Rear principle point (from Mount)	1.50
二点間の距離 (主点間隔)	Distance between the pincipal points	19.18
TVディストーション [%]	TV distortion [%]	0.0
外径寸法 [mm]	Dimension [mm]	φ33×52.5
周辺光量(開放・隅)	Relative illumination (Apeture: at full open, Image heigh: at diagonal)	61.51
使用温度範囲	Operation Temperature	-10°C~50°C

These specifications are subject to change without notice.

01-Apr-17