

# VL6Z1626UC-MPYIR

**6X 16mm -96mm F2.6 Day & Night  
for 1.1 type 12 Megapixel Cameras, Motorized Control Vari-focal  
USB interface, C-Mount**

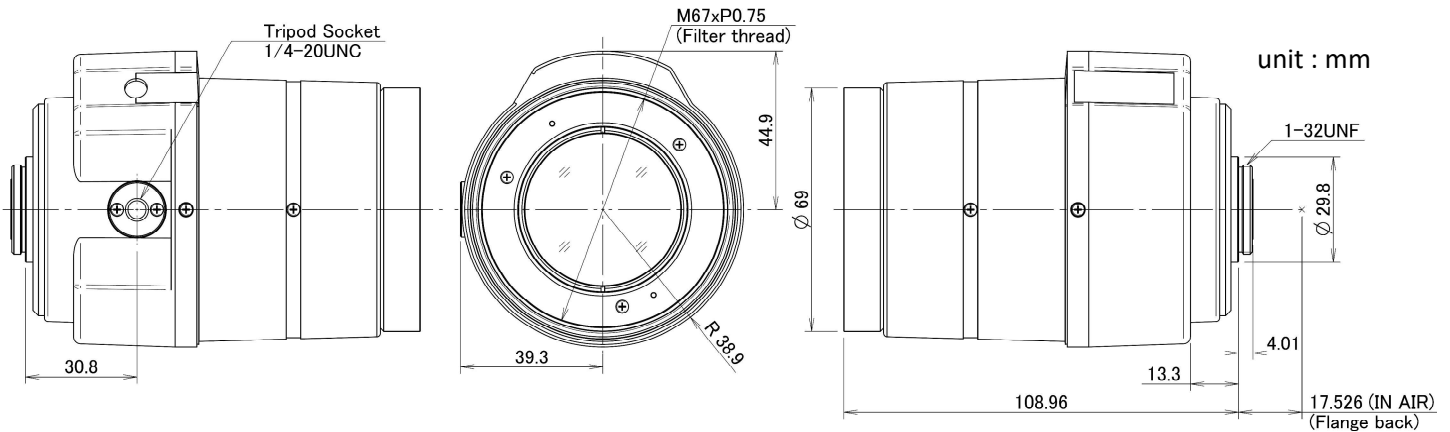
**Optical Specifications**

|                   |            |                           |               |                         |              |                            |              |
|-------------------|------------|---------------------------|---------------|-------------------------|--------------|----------------------------|--------------|
| Model No.         |            | VL6Z1626UC-MPYIR          |               | Min. Objective Distance |              | 3m from front of lens      |              |
| Focal Length      |            | 16mm - 96mm               |               | Effective Lens Aperture |              | Front:φ43.0mm Rear:φ15.4mm |              |
| F-Number          | Wide       | F2.6 - F16C               |               | Back Focal Length       | Wide         | 13.9mm (in Air)            |              |
|                   | Tele       | F2.7 - F16C               |               |                         | Tele         | 13.9mm (in Air)            |              |
| Max. Image Format |            | 14.2mm x 10.4mm (φ17.6mm) |               | Flange Back Length      |              | 17.526mm (In Air)          |              |
| Angle of View     | Diagonal   | 1.1 type                  | 58.9° ~ 10.4° | 1 type                  | 54.1° ~ 9.5° | 2/3 type                   | 37.8° ~ 6.7° |
|                   | Horizontal | 14.2mm x 10.4mm           | 48.1° ~ 8.5°  | 14.2mm x 7.5mm          | 48.1° ~ 8.5° | 8.8mm x 6.6mm              | 30.3° ~ 5.4° |
|                   | Vertical   | (φ17.6mm)                 | 35.6° ~ 6.3°  | (φ16.0mm)               | 25.7° ~ 4.5° | (φ11.0mm)                  | 22.8° ~ 4.0° |

**Mechanical & Electrical Specifications**

|                       |       |                   |  |               |  |                             |  |
|-----------------------|-------|-------------------|--|---------------|--|-----------------------------|--|
| Control Interface     |       | USB2.0            |  | Dimensions    |  | As per the attached drawing |  |
| Power mode            |       | Bus power (500mA) |  | Mount         |  | C-mount                     |  |
| Connector             |       | USB TypeA         |  | Weight        |  | 330g                        |  |
| Operating Temperature |       | -20°C - +60°C     |  | Tripod Screw  |  | 1/4-20UNC                   |  |
| Control               | Iris  | Motorized         |  | Filter thread |  | M67xP0.75                   |  |
|                       | Focus | Motorized         |  |               |  |                             |  |
|                       | Zoom  | Motorized         |  |               |  |                             |  |

**Dimensions**



**Length of Wire**

300±20 (mm)

**MaxxVision®**  
Sigmaringer Str. 121  
70567 Stuttgart  
Tel.: 0711 997 996 3  
www.maxxvision.com