

VL1624U-MPZ

f=16mm F2.4

**for 1 Type 20Megapixel cameras, Motorized Control Fixed-focal
USB interface, C-Mount**

Optical Specifications

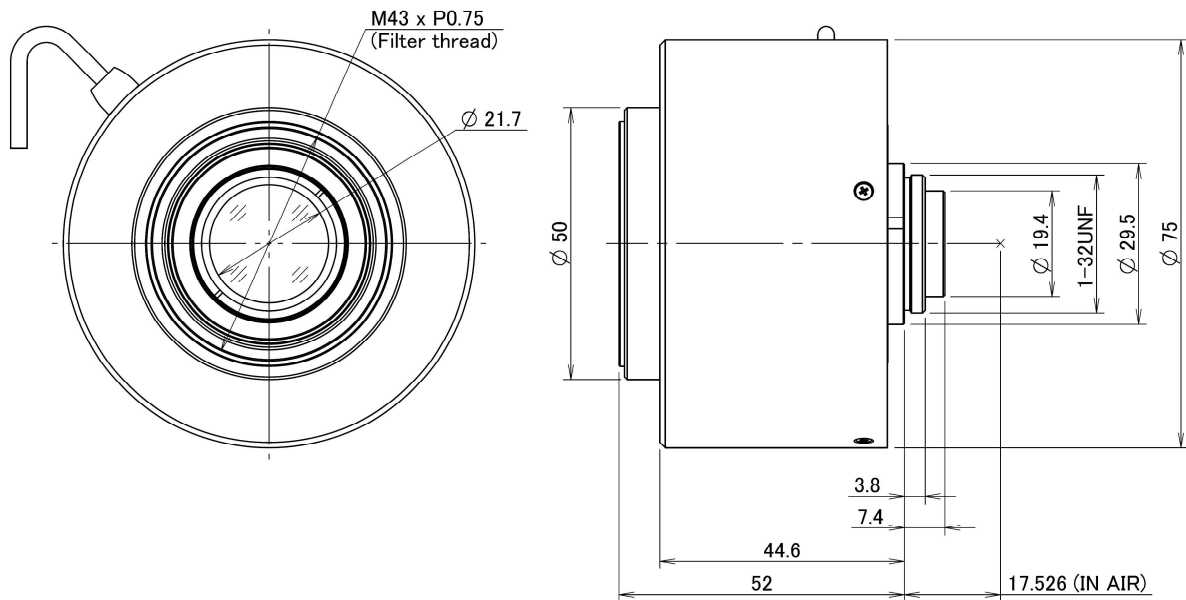
Model No.		VL1624U-MPZ		Effective Lens Aperture		Front:φ20.9mm Rear:φ15.9mm	
Focal Length		16mm		Back Focal Length		10.7mm (In Air)	
Operation Range	Iris	F2.4 - F16.0		Flange Back Length		17.526mm (In Air)	
	Focus	0.1m - Inf.		Max. Image Format		12.8mm x 9.6mm(φ16mm)	
Object Dimension at M.O.D.	1 Type	88.6mm x 66.3mm		Distortion	1 Type	0.0%	
	2/3 Type	60.7mm x 45.5mm			2/3 Type	-0.4%	
	1/1.8 Type	49.6mm x 37.2mm			1/1.8 Type	-0.4%	
Angle of View	D	1 Type	53.2°	2/3 Type	38.1°	1/1.8 Type	31.6°
	H		43.8°		30.9°		25.5°
	V		33.6°		23.4°		19.2°

Mechanical & Electrical Specifications

Control Interface		USB2.0		Dimensions		As per the attached drawing	
Power mode		Bus powerd (500mA)		Mount		C-Mount	
Connector		USB TypeA		Weight		280g	
Operating Temperature		-10°C - +50°C		Tripod Screw		-	
Control	Iris	Motorized		Filter thread		M43 x P0.75mm	
	Focus	Motorized					

Dimensions

Unit:mm



Length of Wire

300±20 (mm)

MaxxVision®

Sigmaringer Str. 121
70567 Stuttgart
Tel.: 0711 997 996 3
www.maxxvision.com