

# VL1226U-MPZ

**f=12mm F2.6**

**for 1 Type 20Megapixel cameras, Motorized Control Fixed-focal  
USB interface, C-Mount**

**Optical Specifications**

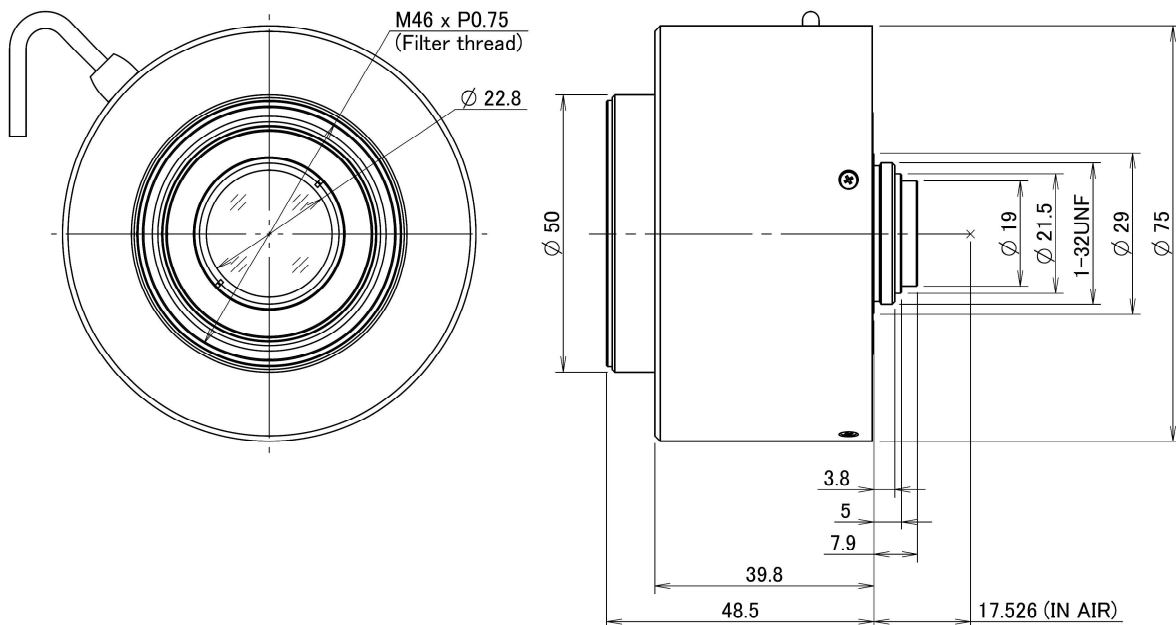
Model No.		VL1226U-MPZ		Effective Lens Aperture		Front:φ22.6mm Rear:φ15.1mm	
Focal Length		12mm		Back Focal Length		10.6mm (In Air)	
Operation Range	Iris	F2.6 - F16.0		Flange Back Length		17.526mm (In Air)	
	Focus	0.1m - Inf.		Max. Image Format		12.8mm x 9.6mm(φ16mm)	
Object Dimension at M.O.D.	1 Type	123.2mm x 91.9mm		Distortion	1 Type	0.0%	
	2/3 Type	84.1mm x 62.7mm			2/3 Type	-1.1%	
	1/1.8 Type	68.5mm x 51.2mm			1/1.8 Type	-1.0%	
Angle of View	D	1 Type	67.4°	2/3 Type	49.8°	1/1.8 Type	41.5°
	H		56.7°		40.7°		33.7°
	V		44.1°		31.0°		25.5°

**Mechanical & Electrical Specifications**

Control Interface		USB2.0		Dimensions		As per the attached drawing	
Power mode		Bus powerd (500mA)		Mount		C-Mount	
Connector		USB TypeA		Weight		273g	
Operating Temperature		-10°C - +50°C		Tripod Screw		-	
Control	Iris	Motorized		Filter thread		M46 x P0.75mm	
	Focus	Motorized					

Dimensions

Unit:mm



Length of Wire

300±20 (mm)

**MaxxVision®**

Sigmaringer Str. 121  
70567 Stuttgart  
Tel.: 0711 997 996 3  
www.maxxvision.com