

V1628-MPY2

f=16mm F2.8

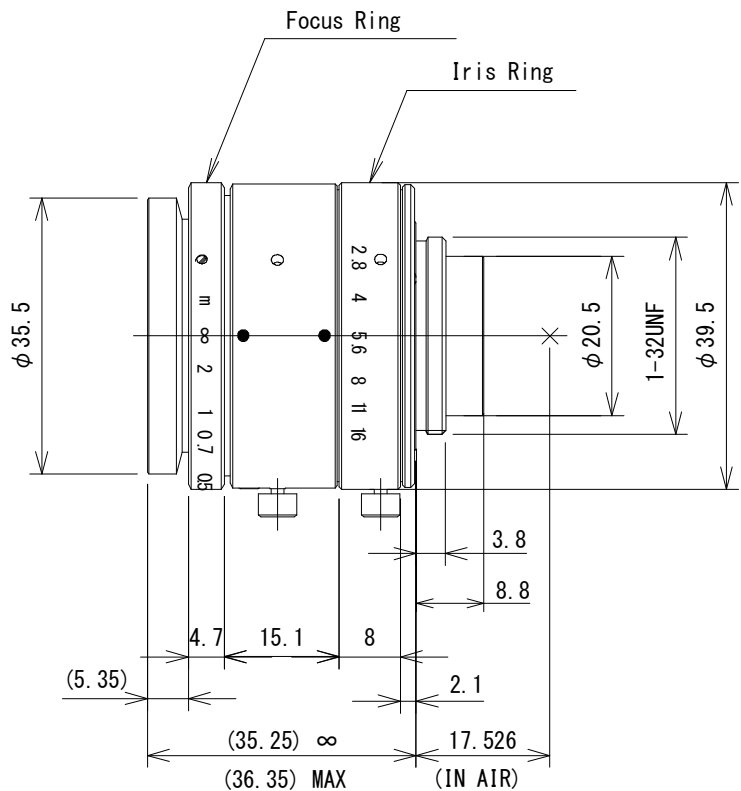
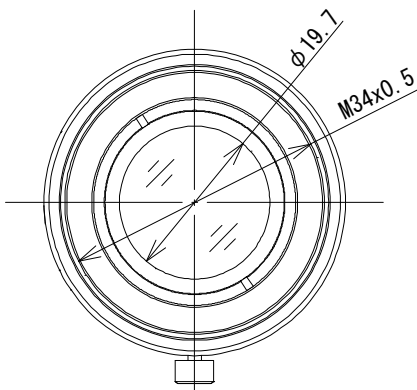
for 1.1" type 12 Megapixel cameras, Fixed-focal

C-Mount

Model No.	V1628-MPY2		Effective	Front	ϕ 19.4mm		
Focal Length	16mm		Lens Aperture	Rear	ϕ 15.3mm		
Max. Aperture Ratio	1:2.8		Distortion	1.1 type	-0.5%		
Max. Image Format	14.2mm x 10.4mm (ϕ 17.6mm)			1 type	-0.6%		
Operation Range	Iris	F2.8 - F16.0		2/3 type	-0.6%		
	Focus	0.3m - Inf.		Back Focal Length	9.4mm		
Control	Iris	Manual		Flange Back Length	17.526mm		
	Focus	Manual		Mount	C-Mount		
Object Dimension at M.O.D.	1.1 Type	26cm x 19cm		Filter Size	M34.0 P=0.5mm		
	1 Type	24cm x 18cm		Dimensions	ϕ 39.5mm x 35.2mm		
	2/3 Type	16cm x 12cm		Weight	89.8g		
Angle of View	D	1.1 Type	57.9°	1 Type	53.4°	2/3 Type	38.2°
	H		48.2°		43.9°		30.9°
	V		36.2°		33.6°		23.4°
Operating Temperature	-10°C - +50°C						

M.O.D. : Minimum Object Distance

Dimensions



MaxxVision®
 Sigmaringer Str. 121
 70567 Stuttgart
 Tel.: 0711 997 996 3
 www.maxxvision.com