

V1228-MPY2

f=12mm F2.8

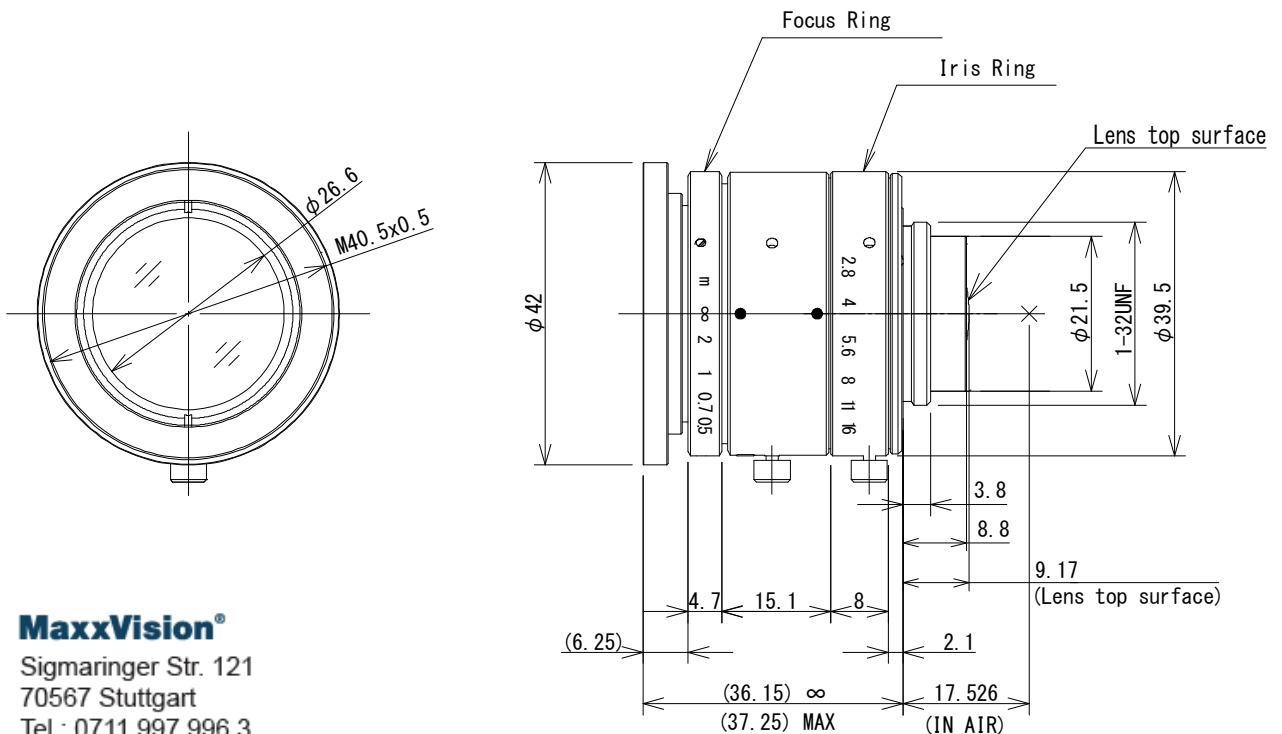
for 1.1" type 12 Megapixel cameras, Fixed-focal

C-Mount

| | | | | | | | |
|----------------------------|----------------------------|--------------|--------------------|----------|-------------------|----------|-------|
| Model No. | V1228-MPY2 | | Effective | Front | φ 26.2mm | | |
| Focal Length | 12mm | | Lens Aperture | Rear | φ 16.7mm | | |
| Max. Aperture Ratio | 1:2.8 | | Distortion | 1.1 type | -0.5% | | |
| Max. Image Format | 14.2mm x 10.4mm (φ 17.6mm) | | | 1 type | -1.0% | | |
| Operation Range | Iris | F2.8 - F16.0 | | 2/3 type | -1.4% | | |
| | Focus | 0.3m - Inf. | Back Focal Length | | 8.4mm | | |
| Control | Iris | Manual | Flange Back Length | | 17.526mm | | |
| | Focus | Manual | Mount | | C-Mount | | |
| Object Dimension at M.O.D. | 1.1 Type | 35cm x 26cm | Filter Size | | M40.5 P=0.5mm | | |
| | 1 Type | 32cm x 24cm | Dimensions | | φ 42.0mm x 36.1mm | | |
| | 2/3 Type | 22cm x 16cm | Weight | | 97.2g | | |
| Angle of View | D | 1.1 Type | 71.1° | 1 Type | 66.4° | 2/3 Type | 48.6° |
| | H | | 60.5° | | 55.5° | | 39.6° |
| | V | | 46.2° | | 42.9° | | 30.1° |
| Operating Temperature | -10°C - +50°C | | | | | | |

M.O.D. : Minimum Object Distance

Dimensions



MaxxVision®
 Sigmaringer Str. 121
 70567 Stuttgart
 Tel.: 0711 997 996 3
 www.maxxvision.com