

# H1328KP

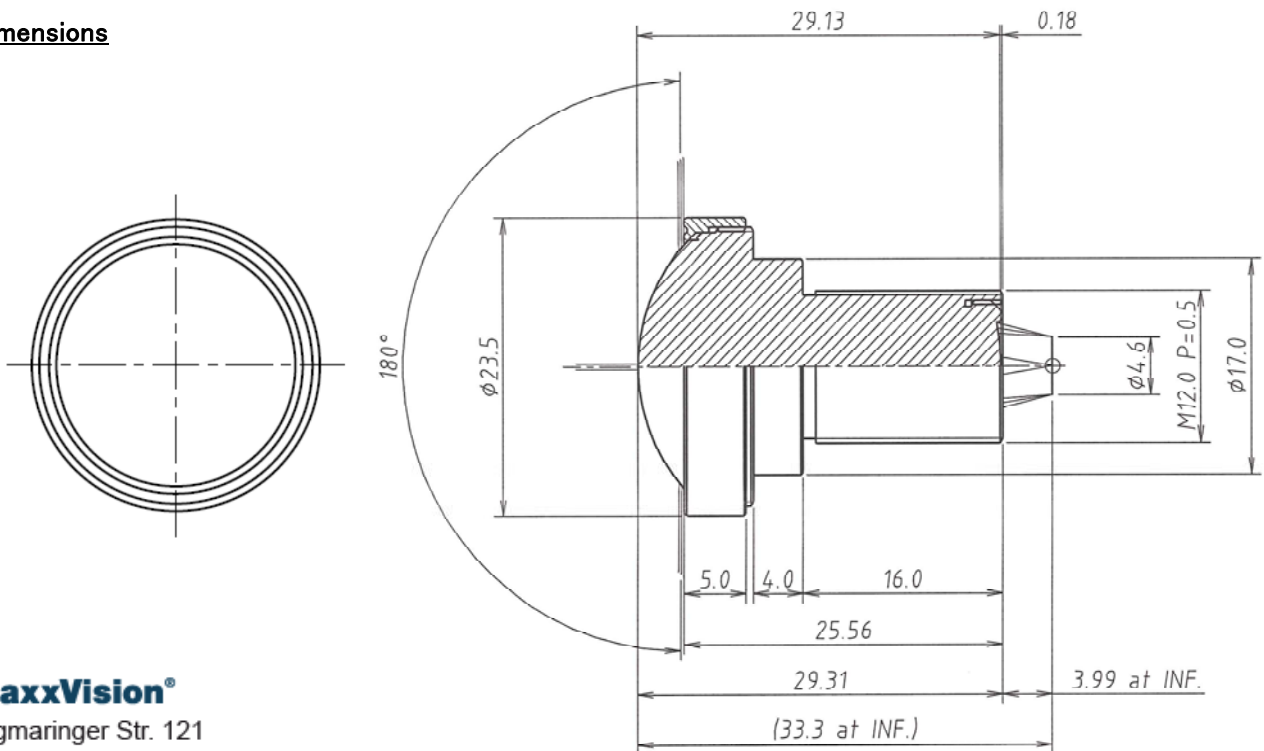
f = 1.3mm F2.8 Megapixel lens  
for 1/2 type Format Board Cameras, Fisheye, No Iris

1/2  
inch

M12  
P=0.5

Model No.		H1328KP		Effective	Front	φ 19.5mm	
Focal Length		1.3mm		Lens Aperture	Rear	φ 7.0mm	
Max. Aperture Ratio		1:2.8		Distortion		-99.4% (γ=2.3)	
Image Size at 180°		φ 4.6		Back Focal Length		4.17mm	
Operation Range	Iris	—		Flange Back Length		—	
	Focus	0.05m - Inf.		Mount		M12 P=0.5mm	
Object Dimension at M.O.D.	1/2 type	—		Dimensions		φ 23.5mm x 29.31mm	
	1/3 type	—		Weight		17.1g	
Coating		MgF2 Single Coat (All Surfaces λ = 510nm)					
Angle of View	D	1/2 type	—	1/3 type	—	1/4 type	177.3°
	H	Fisheye	—		180.0°		151.0°
	V		180.0°		151.0°		117.6°

**Dimensions**



**MaxxVision®**  
Sigmaringer Str. 121  
70567 Stuttgart  
Tel.: 0711 997 996 3  
www.maxxvision.com

ImmerVision Enables Compatible.  
Specification is subject to change without any notice.