

L1028KRW

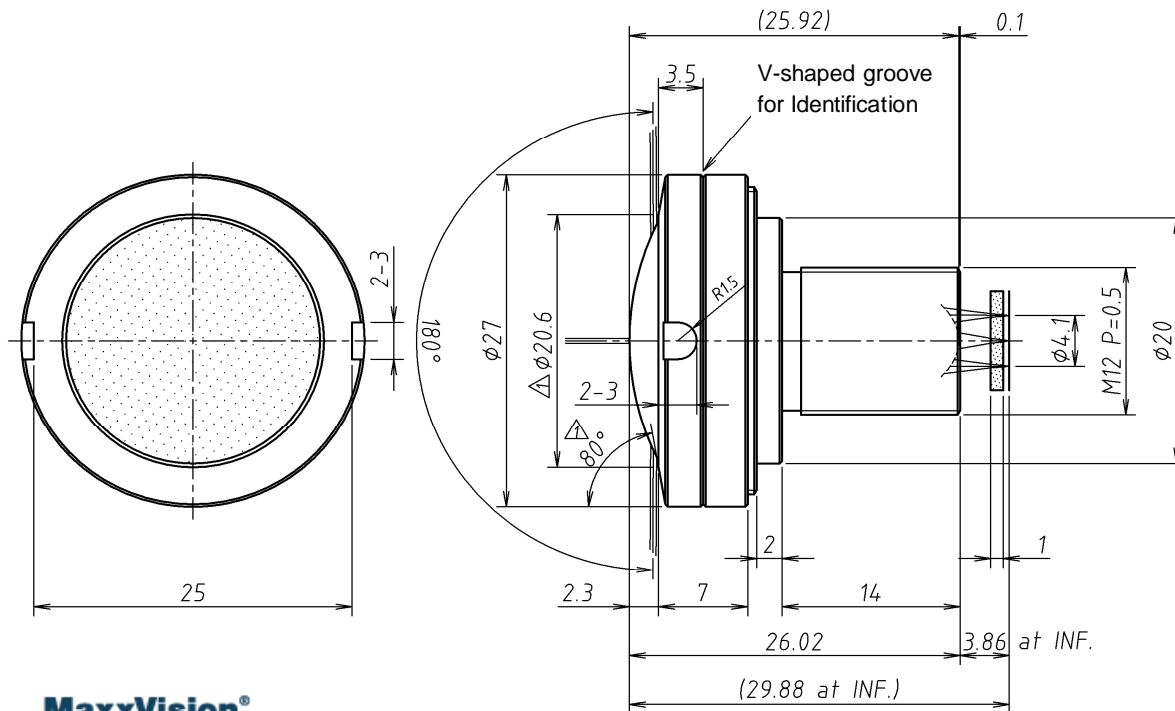
f = 1.05mm F2.8 Megapixel lens
for 1/2.5 type Format Board Cameras, Fisheye, No Iris
IR corrective

Model No.	L1028KRW		Effective	Front	φ 20mm	
Focal Length	1.05mm		Lens Aperture	Rear	φ 5.4mm	
Max. Aperture Ratio	1:2.8		Distortion		-96.66%	
Image Size at 180°	φ 4.1		Back Focal Length		3.62mm	
Operation Range	Iris	-		Flange Back Length		
	Focus	0.05m - Inf.		Mount		
Object Dimention at M.O.D.	1/2.5 type	-		Dimensions		
	1/3 type	-		φ 27mm x 26.02mm		
Coating	MgF2 Single Coat (All Surfaces λ = 510nm)					
Angle of View (Peripheral light amount 50%)	D	1/2.5 type	-	1/3 type	-	1/4 type
	H	Fisheye	-	-	180.0°	180.0°
	V		180.0°	-	163.2°	130.2°

1/2.5 inch

M12 P=0.5

Dimensions



MaxxVision®
Sigmaringer Str. 121
70567 Stuttgart
Tel.: 0711 997 996 3
www.maxxvision.com