

F1628-MPT

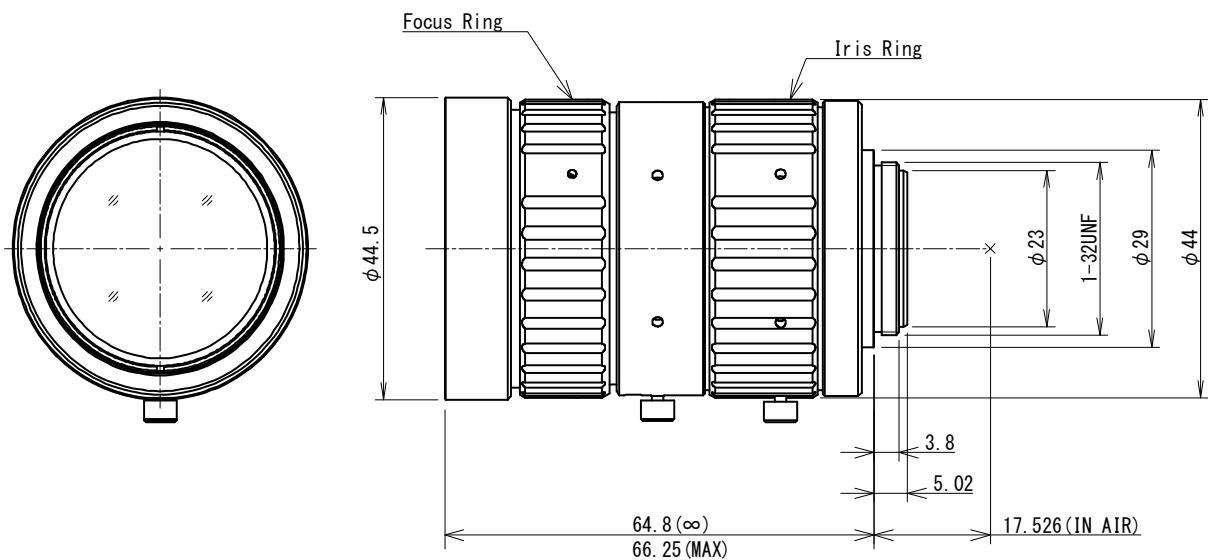
f=16mm F2.8
for 1.4 Type 45 Megapixel cameras, Fixed-focal
C-Mount

Model No.	F1628-MPT		Effective	Front	φ 32.2mm		
Focal Length	16mm		Lens Aperture	Rear	φ 19.0mm		
Max. Aperture Ratio	1:2.8		Distortion (Inf.)	1.4 Type	0.06%		
Image Circle Diameter	φ 23.1mm		Back Focal Length	12.7mm			
Operation Range	Iris	F2.8 - F16.0	Flange Back Length	17.526mm			
	Focus	0.15m - Inf.	Mount	C-Mount			
Control	Iris	Manual	Filter Size	M52 P=0.75mm*			
	Focus	Manual	Dimensions	φ 44.5mm × 64.8mm			
Operating Temperature	-10°C - +50°C			φ 54mm × 66.4mm			
Weight	187g			(with TM-1643)			
Angle of View	Sensor Size	1.4 Type		1.2 Type		1.1 Type	
	Diagonal	19.08mm × 13.03mm	70.1°	14.60mm × 12.63mm	61.0°	14.19mm × 10.38mm	56.5°
	Horizontal	(φ 23.1mm)	60.4°	(φ 19.3mm)	48.1°	(φ 17.6mm)	46.9°
	Vertical		43.4°		42.2°		35.2°

(*):For using filters, please attach TM-1643

(Sold Separately)

Dimensions



MaxxVision®
 Sigmaringer Str. 121
 70567 Stuttgart
 Tel.: 0711 997 996 3
 www.maxxvision.com