

# F1228-MPT

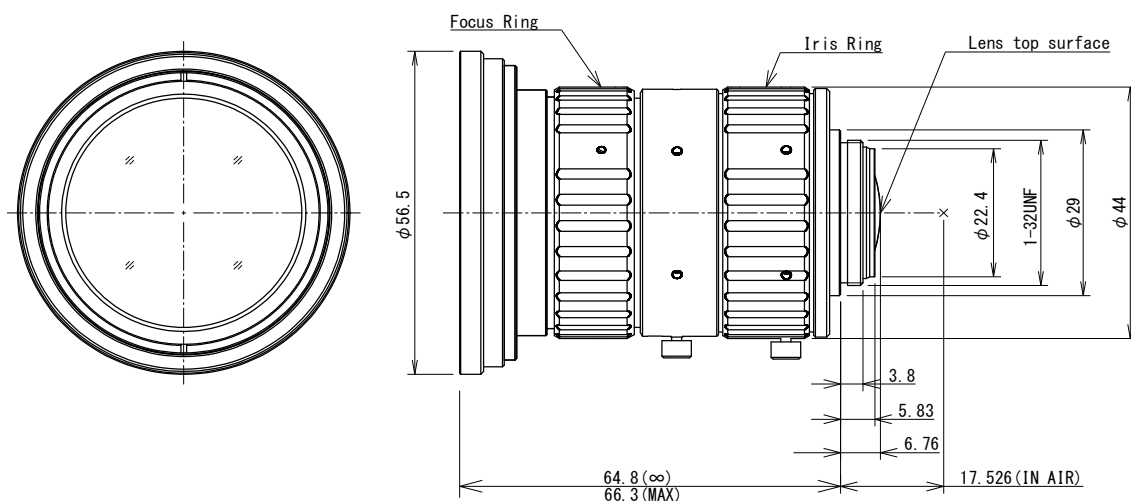
**f=12mm F2.8**  
**for 1.4 Type 45 Megapixel cameras, Fixed-focal**  
**C-Mount**

Model No.		F1228-MPT		Effective	Front	φ 40.3mm	
Focal Length		12mm		Lens Aperture	Rear	φ 18.9mm	
Max. Aperture Ratio		1:2.8		Distortion (Inf.)	1.4 Type	0.13%	
Image Circle Diameter		φ 23.1mm		Back Focal Length		10.8mm	
Operation Range	Iris	F2.8 - F16.0		Flange Back Length		17.526mm	
	Focus	0.15m - Inf.		Mount		C-Mount	
Control	Iris	Manual		Filter Size		M72 P=0.75mm*	
	Focus	Manual		Dimensions		φ 56.5mm × 64.8mm	
Operating Temperature		-10°C - +50°C				φ 75mm × 66.1mm	
Weight		205g				(with TM-1243)	
Angle of View	Sensor Size	1.4 Type		1.2 Type		1.1 Type	
	Diagonal	19.08mm × 13.03mm	86.1°	14.60mm × 12.63mm	76.6°	14.19mm × 10.38mm	71.6°
	Horizontal	(φ 23.1mm)	76.0°	(φ 19.3mm)	61.9°	(φ 17.6mm)	60.4°
	Vertical		56.2°		54.8°		46.1°

(\*):For using filters, please attach TM-1243

(Sold Separately)

**Dimensions**



**MaxxVision®**

Sigmaringer Str. 121

70567 Stuttgart

Tel.: 0711 997 996 3

www.maxxvision.com