

computar

M7538-MPX

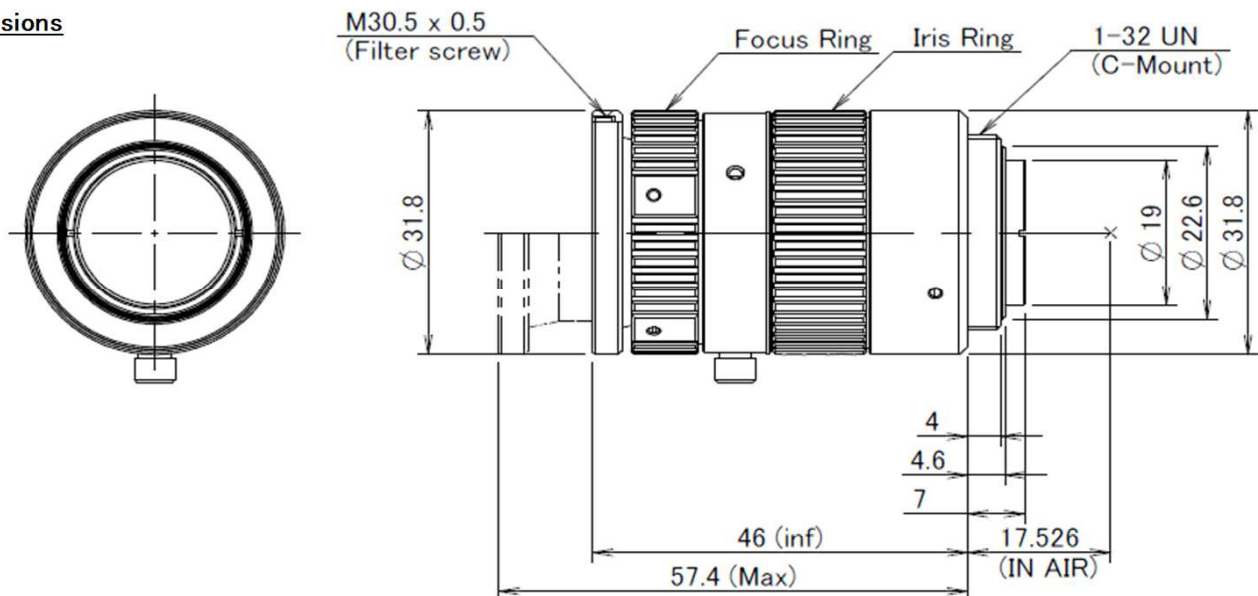
f=75mm F3.8

for 2/3 Type 16 Megapixel cameras, Fixed-focal

C-Mount

Model No.		M7532-MPX		Effective	Front	φ 18.5mm	
Focal Length		75mm		Lens Aperture	Rear	φ 11.0mm	
Max. Aperture Ratio		1:3.8		Distortion (Inf.)	2/3 Type	0.01%	
Image Circle Diameter		φ 11.8mm		Back Focal Length		11.9mm	
Operation Range	Iris	F3.8 - F16.0		Flange Back Length		17.526mm	
	Focus	0.25m - Inf.		Mount		C-Mount	
Control	Iris	Manual		Filter Size		M30.5 P=0.5mm	
	Focus	Manual		Dimensions		φ 31.8mm × 46mm	
Operating Temperature		-10°C - +50°C		Weight		89g	
Angle of View	Sensor Size	2/3 Type		1/2 Type		1/3 Type	
	Diagonal	8.8mm × 6.6mm	8.6°	6.4mm × 4.8mm	6.3°	4.8mm × 3.6mm	4.7°
	Horizontal	(φ 11.0mm)	6.9°	(φ 8.0mm)	5.0°	(φ 6.0mm)	3.8°
	Vertical		5.2°		3.8°		2.8°

Dimensions



MaxxVision®
 Sigmaringer Str. 121
 70567 Stuttgart
 Tel.: 0711 997 996 3
 www.maxxvision.com

Specification is subject to change without any notice.

2024.03